

Model	VT2100/2130/2150, Ges5310/5315/5320, Rex1240/1241/1242, NSA CP310/315	Volt/Hz	Date of Modification	Serial Number
Modified Article	Parts Catalog			
Reason for Modification	Parts catalog correction			

Correct your parts catalog as follows:

Page: 9

1. Description correction

NRG/Ricoh	Index	Part Number	Incorrect Description	Correct Description
NRG	13	C2112871	Decal - Drum Replacement - B4 (GES/REX)	Decal - Drum Replacement - TWN (GES/REX)
NRG	16	C2112860	Decal - Master Eject Open - LG/B4	Decal - Master Eject Open - NA/TWN
NRG	17	C2112858	Decal - Drum Operation - LT/B4	Decal Drum Operation - NA/TWN
NRG	18	C2112801	Front Cover - LT/B4	Front Cover - NA/TWN

2. Delete the following part.

NRG/Ricoh	Index	Part Number	Description
NRG	18	C2112711	Front Cover - A4

T. Ito, Manager
Copier Technical Support

3. Part number correction

NRG/Ricoh	Index	Incorrect P/N	Correct P/N	Description
NRG	22	C2132411		Front Door
			→ C2112802	Front Door - LG (GES 5315)
			→ C2112814	Front Door - B4 - TWN (GES 5320)
			→ C2112806	Front Door - B4 (GES 5320)
			→ C2112812	Front Door - A4 (GES 5310)
			→ C2112881	Front Door - LG (REX 1241)
			→ C2112888	Front Door - B4-TWN (REX 1242)
			→ C2112808	Front Door - B4 (REX 1242)
			→ C2112886	Front Door - A4 (REX 1240)
			→ C2112891	Front Door - LG (NSA CP315)
			→ C2112896	Front Door - A4 (NSA CP310)
Roicoh	22	C2132411		Front Door
			→ C2112705	Front Door - LG
			→ C2112712	Front Door - A4/B4
NRG	18	C2112716		Front Cover - B4
			→ C2122811	Front Cover - Europe (NRG)
Ricoh	13	C2052765		Decal - Drum Replacement - A4
			→ C2112761	Decal - Drum Replacement - NA
			→ C2112771	Decal - Drum Replacement - Europe/Asia

Page 21:

1. Part number correction

NRG/Ricoh	Index	Incorrect P/N	Correct P/N	Description
Common	117	05730040E	07200060Z	Hexagon Headless Set Screw - M3 x 4
				Retaining Ring - M6

Page 23:

1. Part number and description correction

NRG/Ricoh	Index	Incorrect P/N	Correct P/N	Description
Common	10	C2032026	C2032026 C2112026	Lever Bracket - Paper Feed
				Lever Bracket - Paper Feed - 110/120V
				Lever Bracket - Paper Feed - 220/240V

Page 31:

1. Description correction

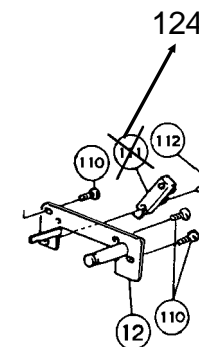
NRG/Ricoh	Index	Part Number	Incorrect Description	Correct Description
Common	27	C2115554	Press Roller - LG/B4	Press Roller - LG/A4

2. Part number correction

NRG/Ricoh	Index	Incorrect P/N	Correct P/N	Description
Common	106	06240220E	08044060	Spring Pin - 4 x 20mm
				Spring Pin - 4 x 22mm

3. Not listed

NRG/Ricoh	Index	Part Number	Description
Common	* 124	14030539	Phointerruptor - EE - SX450-P1



* New index number

NOTE: Correct the index number in the illustration from 111 to 124.

Page 35:

1. Index number correction

NRG/Ricoh	Incorrect Index No.	Correct Index No.	Part Number	Description
Common	12 →	13	C2036073	Right Bracket
Common	13 →	15	C2076201	Shelter Plate

2. Not listed

NRG/Ricoh	Index	Part Number	Description	Q'ty
Common	12	C2036085	2nd Antistatic Brush	1

Page 37:

1. Delete the following parts

NRG/Ricoh	Index	Part Number	Description
NRG	7	C2002621	Paper Delivery Cover Sheet - A4/B4
NRG	15	C2002620	Paper Delivery Cover - A4/B4

2. Description Correction

NRG/Ricoh	Index	Part Number	Incorrect Description	Correct Description
NRG	7	C2122854	Paper Delivery Cover Sheet- LT	Paper Delivery Cover Sheet
NRG	15	C2122852	Paper Delivery Cover - LT	Paper Delivery Cover

Page 47:

1. Part number Correction

NRG/Ricoh	Index	Incorrect P/N	Correct P/N	Description
Common	21	C2008420		Motor - DC7.2W
				C2038125

Page 49:

1. Index number correction

NRG/Ricoh	Incorrect Index No.	Correct Index No.	Part Number	Description
Common	36	18	C2013029	Right Mylar - Original Guide

2. Delete the following parts

NRG/Ricoh	Index	Part Number	Description
Common	18	C2023005	Original Table Flame - Left
NRG	9	C2113135	Right Cover Scanner - A4

3. Not listed

NRG/Ricoh	Index	Part Number	Description
Common	10	C2033031	Grip Bracket

4. Description Correction

NRG/Ricoh	Index	Part Number	Incorrect Description	Correct Description
NRG	2	C2113135	Original Table - A4	Original Table - A4/B4 (Europe/Asia)
NRG	2	C2113138	Original Table - B4	Original Table - B4 (TWN)
NRG	2	C2123140	Right Cover Scanner - LT/B4	Right Cover Scanner

Page 53:

1. Description correction

NRG/Ricoh	Index	Part Number	Incorrect Description	Correct Description
Common	36	C2134023	Thermal Head Base	Thermal Head Base - B4

2. Delete the following parts

NRG/Ricoh	Index	Part Number	Description
NRG	38	C2072521	Lower Pad - A4 (GES/REX)
NRG	39	C2072522	Rear Pad - A4 (GES/REX)

3. Not listed

NRG/Ricoh	Index	Part Number	Description
Common	36	C2114023	Thermal Head Base - LG/A4

Page 57:

1. Part number correction

NRG/Ricoh	Index	Incorrect P/N	Correct P/N	Description
Common	37	C2034038		Master Guide - Large
			→	C2014038
Ricoh	25	C2134232		Platen Roller - B4
			→	C2134052

2. Description correction

NRG/Ricoh	Index	Part Number	Incorrect Description	Correct Description
Ricoh	25	C2114052	Platen Roller	Platen Roller - LG/A4

Page 59:

1. Part number correction

NRG/Ricoh	Index	Incorrect P/N	Correct P/N	Description
Common	17	C2113520	C2013520	Rear Side Plate - Master Eject
				Rear Side Plate - Master Eject
Common	23	C2013502	C2033519	Front Side Plate - Master Eject
				Front Side Plate - Master Eject

Page 60:

1. Correct the following call-out numbers (index numbers) in the illustration on page 60.

Incorrect Call-out Number (Index Number)	Correct Call-out Number (Index Number)
* 38	34
* 34	107

* : The above call-out numbers are located at the bottom of the page.

Page 61:

1. Part number correction

NRG/Ricoh	Index	Incorrect P/N	Correct P/N	Description
Common	12	C2113520	C2013520	Rear Side Plate - Master Eject
Common	6	C2003517	C2133517	Master Eject Hinge

Page 63:

1. Description correction

NRG/Ricoh	Index	Part Number	Incorrect Description	Correct Description
Common	6	C2018055	AC Drive Board - 220V/240V	AC Drive Board - 110/220/240V
Common	6	C2018057	AC Drive Board - 110/120V	AC Drive Board - 120V
Ricoh	25	C2118002	Image Processing Board	Image Processing Board - 110/220/240V
Common	31	C2032031	Main Board Spacer	Main Board Spacer - 110/120V
Common	45	C2138176	AC Drive Harness - 220/240V	AC Drive Harness - 110/220/240V
Common	45	C2138187	AC Drive Harness - 110/120V	AC Drive Harness - 120V
Common	121	11070154	Circuit Breaker - 240V 7A (120V)	Circuit Breaker - 240V 7A (110/120V)

2. Not listed

NRG/Ricoh	Index	Part Number	Description
Ricoh	25	C2118033	Image Processing Board - 120V
Common	31	C2112031	Main Board Spacer - 220/240V

3. Part number correction

NRG/Ricoh	Index	Incorrect P/N	Correct P/N	Description
Common	34	C2038006	→ C2038004	IC - HN27128AP - 20

4. Delete the following parts

NRG/Ricoh	Index	Part Number	Description
Common	131	11021409	Connector - 5P
Common	131	16070510	Ferrite Core
Common	132	16070327	Ferrite Core

Page 67:

1. Description correction

NRG/Ricoh	Index	Part Number	Incorrect Description	Correct Description
Ricoh	*	C2118002	Image Processing Board	Image Processing Board - 110/220/240V

2. Not listed

NRG/Ricoh	Index	Part Number	Description
Ricoh	*	C2118033	Image Processing Board - 120V

3. Part number correction

NRG/Ricoh	Index	Incorrect P/N	Correct P/N	Description
Common	3	C2038006	→ C2118004	IC - HN27128AP - 20

Page 75:

1. Description correction

NRG/Ricoh	Index	Part Number	Incorrect Description	Correct Description
Common	*	C2018057	AC Drive Board - 110/120V	AC Drive Board - 120V
Common	*	C2018055	AC Drive Board - 220/240V	AC Drive Board - 110/220/240V

Page 79:

1. Description correction

NRG/Ricoh	Index	Part Number	Incorrect Description	Correct Description
Common	*	C2138187	AC Drive - 110/120V	AC Drive Harness - 120V
Common	*	C2138176	AC Drive Harness - 220/240V	AC Drive Harness - 110/220/240V

Page 85:

1. Delete the following parts

NRG/Ricoh	Index	Part Number	Description
Ricoh	*	C2042751	Decal - German
Ricoh	*	C2042752	Decal - French
Ricoh	*	C2042753	Decal - Spanish
Ricoh	*	C2042754	Decal - Italian
NRG	23	C2074011	Master Flange Decal - A4 (GES/REX)

2. Description correction

NRG/Ricoh	Index	Part Number	Incorrect Description	Correct Description
NRG	1	C2122869	Master Cutter Decal - LT/B4	Master Cutter Decal - LT/TWN
NRG	3	C2122857	Decal - Main Switch - LT	Decal - Main Switch - LT/TWN
NRG	7	C2112858	Decal - Drum Operation - LT/B4	Decal - Drum Operation - LT/TWN
NRG	8	C2122860	Decal - Master Eject Open - LG/B4	Decal - Master Eject Open - LT/TWN
NRG	9	C2112871	Decal - Drum Replacement - B4	Decal - Drum Replacement - TWN
NRG	10	C2122868	Paper Feed Decal - LT/B4	Paper Feed Decal - LT/TWN
NRG	22	C2032728	Decal - Paper Separator - LG	Decal - Paper Separator - LT/TWN
NRG	15	C2122866	Decal - Original Table - LT/B4	Decal - Original Table - LT/TWN
Ricoh	9	C2112771	Decal - Drum Replacement - A4	Decal - Drum Replacement - A4/B4
Ricoh	21	C2042718	Decal - Paper Size - A4	Decal - Paper Size - A4/B4
Ricoh	25	C2118638	Operating Guid - English (VT2100)	Operating Guid - English (VT2100 service)

3. Not listed

NRG/Ricoh	Index	Part Number	Description
NRG	*	C2112791	Decal - English
NRG	14	C2112873	Decal - How to Operate - TWN
NRG	16	C2122864	Decal - Open Carefully - LT/B4

4. Delete the following parts

NRG/Ricoh	Index	Part Number	Description
NRG	9	C2052765	Decal - Drum Replacement - A4
Ricoh	*	C2042751	Decal - German
Ricoh	*	C2042752	Decal - French
Ricoh	*	C2042753	Decal - Spanish
Ricoh	*	C2042754	Decal - Italian
NRG	24	C2118641	Operation Instructions - German (GES 5320)
NRG	24	C2118642	Operation Instructions - French (GES 5320)
NRG	24	C2118643	Operation Instructions - Italian (GES 5320)
NRG	24	C2118644	Operation Instructions - Spanish (GES 5320)
NRG	24	C2118651	Operation Instructions - German (REX 1242)
NRG	24	C2118652	Operation Instructions - French (REX 1242)
NRG	24	C2118653	Operation Instructions - Italian (REX 1242)
NRG	24	C2118654	Operation Instructions - Spanish (REX 1242)

Note: Gestetner 5320 and Rex-Rotary 1242 are available only in Asia and Australia. The operating instructions are required only in English.

5. Part number correction

NRG/Ricoh	Index	Incorrect P/N	Correct P/N	Description
NRG	13	C2012533		Decal - Original Lever - A4
			→ C2122872	Decal - Original Lever - A4/B4
Ricoh	13	C2012533		Decal - Original Lever - A4
			→ C2042717	Decal - Original Lever - A4/B4

Page 87:

1. Part number correction

NRG/Ricoh	Index	Incorrect P/N	Correct P/N	Description
NRG	2	C2134041		Master Roll Frange - LG/A4 (GES/A4, REX/B4)
			→ C2014005	Master Roll Frange - LG/A4

Page 89:

1. Delete the following part

NRG/Ricoh	Index	Part Number	Description
NRG	16	C2122864	Decal - Open Carefully - LT/B4

T. Ito, Manager
Copier Technical Support

MODEL NAME	V/Hz	DESTINATION	CODE	SERIAL NUMBER
Ges 5315 (LG)	120/60	USA, Canada	C211-12	
Ges 5320 (B4)	110/60	Taiwan	C211-13	
Rex 1242 (B4)	110/60	Taiwan	C211-14	
Rex 1241 (LG)	120/60	USA, Canada	C211-15	
NSA CP315 (LG)	120/60	USA, Canada	C211-16	
Ricoh VT2130 (LG)	120/60	USA, Canada	C211-17	
Ricoh VT2100 (B4)	110/60	Taiwan	C211-19	
Ges 5320 (B4)	220, 240/50	Asia	C211-22	
Rex 1242 (B4)	220, 240/50	Asia	C211-24	
NSA CP310 (A4)	220, 240/50	Europe	C211-25	
Ricoh VT2150 (A4)	220, 240/60	Europe	C211-27	
Ricoh VT2100 (B4)	220, 240/60	Asia	C211-29	
Ges 5310 (A4)	220, 240/60	Europe	C211-62	
Rex 1240 (A4)	220, 240/60	Europe	C211-64	

Model		VT2100/2130/2150, Ges5310/5315/5320, Res1240/1241/1242, NSA310/315					Volt/Hz	Date of Modification	Serial Number	
Modified Article		2nd Feed Roller Gear								
Reason for Modification		To improve the durability of the 2nd feed roller gear								
Draw No.	Old Parts No.	New Parts No.	Description	A.B.C.	Q'ty Used Old → New	Inter-change-ability	Part needed for replacement by new part		Parts Catalog	
				Rank			Part No.	Description	Index No.	Page
	C2035231	C2075231	Gear - 14T			X/O			12	27

Rank: A : Replace with new parts immediately. B : Replace with new parts at time of repair. C : Replace with new parts at time of overhaul.

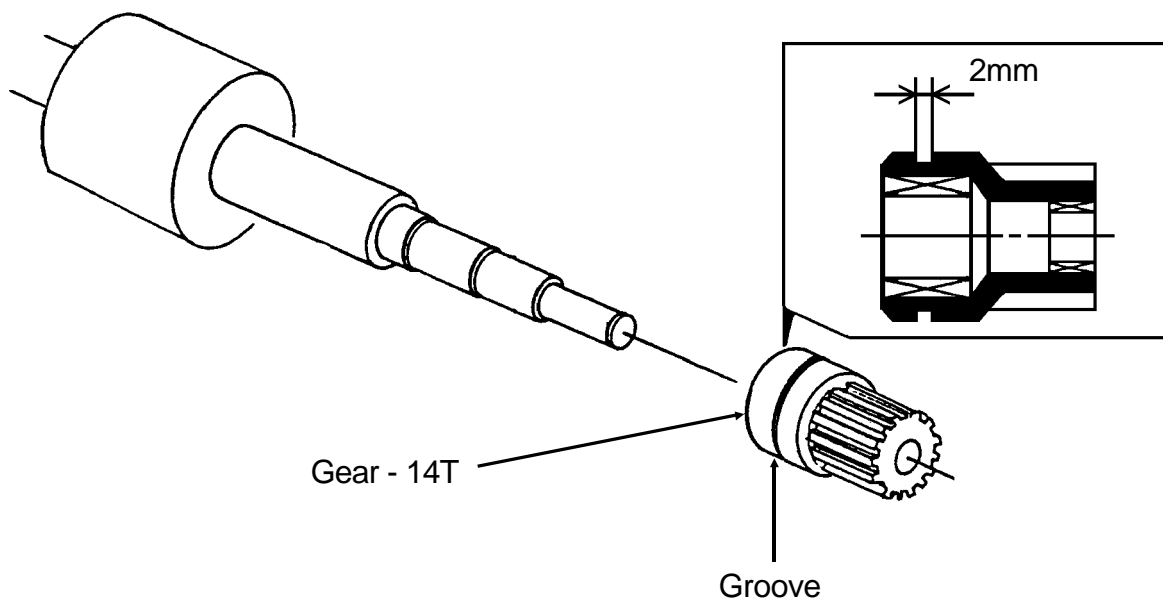
Interchangeability:

(1) When old and new parts are not mutually interchangeable, use additional parts or an assembly part as indicated in "Parts needed for replacement by new part" to install the new part.

(2) The mark to the left of the slash indicates whether the old part can be used in the new machine, and the mark to the right indicates whether the new part can be used

DETAILS OF MODIFICATION

It was reported that on some machines in the field, the image position varies. Although this is a very rare case, at worst this happened after making about 200,000 prints. On the problem machine, the one-way clutch inside the 2nd feed roller gear slips just when the 2nd feed rollers start feeding a sheet. (The paper feed start timing is delayed.) This makes the image position vary, i.e. move up or down in paper feed direction. After investigation, it was found that the grease inside the one-way clutch changes in quality and damages the inside surface of the clutch. The new 2nd feed roller gear contains a new type of grease that does not change in quality unlike the old one. To distinguish the new gear from the old one, a groove is made on the new gear.



T. Ito, Manager
Copier Technical Support

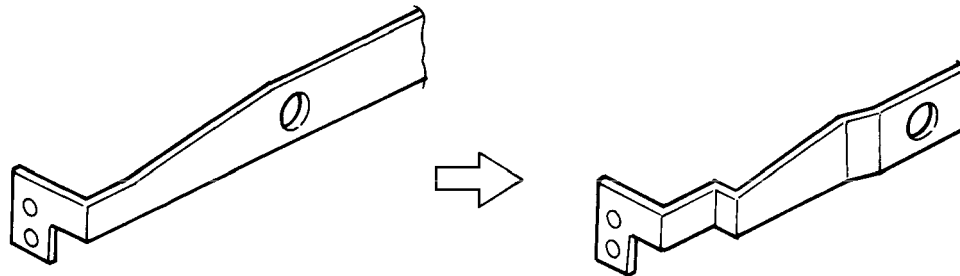
MODEL NAME	V/Hz	DESTINATION	CODE	SERIAL NUMBER
Ges 5315 (LG)	120/60	USA, Canada	C211-12	50321070001
Ges 5320 (B4)	110/60	Taiwan	C211-13	From August '91 Production
Rex 1242 (B4)	110/60	Taiwan	C211-14	From August '91 Production
Rex 1241 (LG)	120/60	USA, Canada	C211-15	From August '91 Production
NSA CP315 (LG)	120/60	USA, Canada	C211-16	From August '91 Production
Ricoh VT2130 (LG)	120/60	USA, Canada	C211-17	C2801070012
Ricoh VT2100 (B4)	110/60	Taiwan	C211-19	From August '91 Production
Ges 5320 (B4)	220, 240/50	Asia	C211-22	50411070001
Rex 1242 (B4)	220, 240/50	Asia	C211-24	From August '91 Production
NSA CP310 (A4)	220, 240/50	Europe	C211-25	From August '91 Production
Ricoh VT2150 (A4)	220, 240/60	Europe	C211-27	C2801070001
Ricoh VT2100 (B4)	220, 240/60	Asia	C211-29	C2801070052
Ges 5310 (A4)	220, 240/60	Europe	C211-62	From August '91 Production
Rex 1240 (A4)	220, 240/60	Europe	C211-64	From August '91 Production

Model		VT2100/2130/2150, Ges5310/5315/5320, Rex1240/1241/1242, NSA CP310/315					Volt/Hz	Date of Modification	Serial Number	
Modified Article		Feed Roller Arm								
Reason for Modification		To prevent the feed roller arm from touching the paper feed side plate								
Draw No.	Old Parts No.	New Parts No.	Description	A.B.C.	Q'ty Used Old → New	Inter-changeability	Part needed for replacement by new part		Parts Catalog	
				Rank			Part No.	Description	Index No.	Page
	C2035058	C2095035	Feed Roller Arm			X/O			3	21

Rank: A : Replace with new parts immediately. B : Replace with new parts at time of repair. C : Replace with new parts at time of overhaul.
 Interchangeability:
 (1) When old and new parts are not mutually interchangeable, use additional parts or an assembly part as indicated in "Parts needed for replacement by new part" to install the new part.
 (2) The mark to the left of the slash indicates whether the old part can be used in the new machine, and the mark to the right indicates whether the new part can be used

DETAILS OF MODIFICATION

When the paper table is lowered, the feed roller arm contacts the side pad lever if the paper feed side plates are fully opened. To prevent this, the shape of the feed roller arm has been changed as shown in the illustration below.



MODEL NAME	V/Hz	DESTINATION	CODE	SERIAL NUMBER
Ges 5315 (LG)	120/60	USA, Canada	C211-12	From August '91Production
Ges 5320 (B4)	110/60	Taiwan	C211-13	From August '91Production
Rex 1242 (B4)	110/60	Taiwan	C211-14	From August '91Production
Rex 1241 (LG)	120/60	USA, Canada	C211-15	From August '91Production
NSA CP315 (LG)	120/60	USA, Canada	C211-16	From August '91Production
Ricoh VT2130 (LG)	120/60	USA, Canada	C211-17	C2801070012
Ricoh VT2100 (B4)	110/60	Taiwan	C211-19	From August '91Production
Ges 5320 (B4)	220, 240/50	Asia	C211-22	50411070001
Rex 1242 (B4)	220, 240/50	Asia	C211-24	From August '91Production
NSA CP310 (A4)	220, 240/50	Europe	C211-25	From August '91Production
Ricoh VT2150 (A4)	220, 240/60	Europe	C211-27	From August '91Production
Ricoh VT2100 (B4)	220, 240/60	Asia	C211-29	C2801070052
Ges 5310 (A4)	220, 240/60	Europe	C211-62	From August '91Production
Rex 1240 (A4)	220, 240/60	Europe	C211-64	From August '91Production

Model	VT2100/2130/2150, Ges5310/5315/5320, Rex1240/1241/1242, NSA CP310/315	Volt/Hz	Date of Modification	Serial Number
Modified Article	Paper detecting arm			
Reason for Modification	To improve strength and durability of the paper detecting arm			

Draw No.	Old Parts No.	New Parts No.	Description	A.B.C.	Q'ty Used Old → New	Inter-changeability	Part needed for replacement by new part		Parts Catalog	
				Rank			Part No.	Description	Index No.	Page
	C2035515	C2095515	Paper Detecting Arm			X/X	X/O as a set		13	27
	08046090		Hexagon Bolt - M4						105	27
	07130040B		Hexagon Nut - M4						106	27
		05730050E	Hexagon Headless Set Screw - M3 x 5			X/X			* 114	27

Rank: A : Replace with new parts immediately. B : Replace with new parts at time of repair. C : Replace with new parts at time of overhaul.

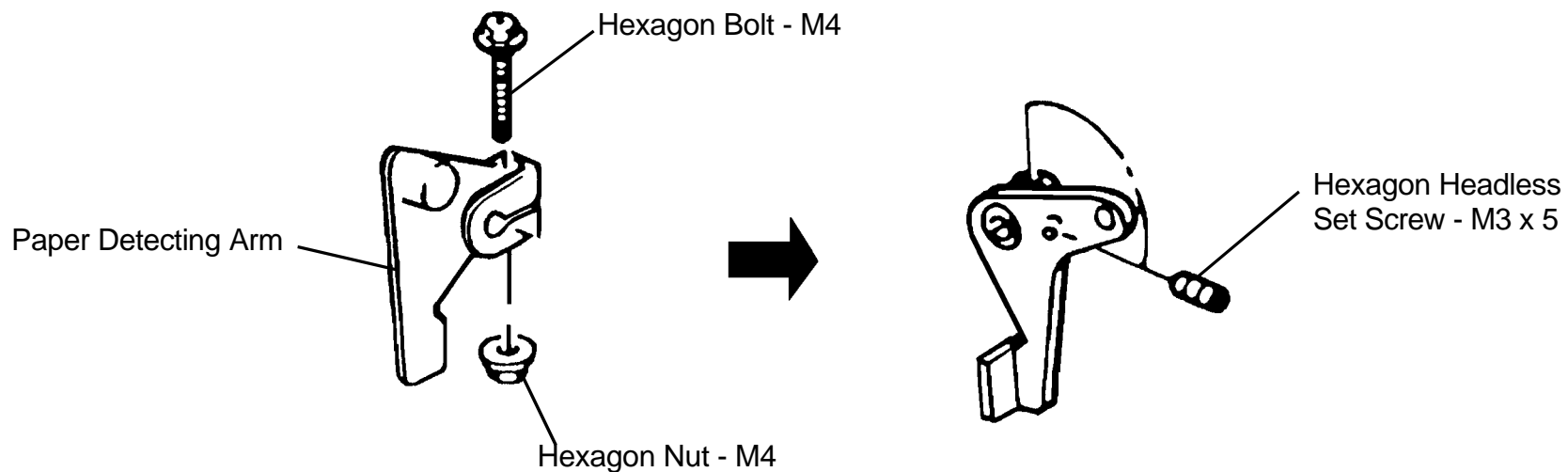
Interchangeability:

(1) When old and new parts are not mutually interchangeable, use additional parts or an assembly part as indicated in "Parts needed for replacement by new part" to install the new part.

(2) The mark to the left of the slash indicates whether the old part can be used in the new machine, and the mark to the right indicates whether the new part can be used

DETAILS OF MODIFICATION

To improve strength and durability, the paper detecting arm has been changed to the type used on the NA2 (C210).



T. Ito, Manager
Copier Technical Support

MODEL NAME	V/Hz	DESTINATION	CODE	SERIAL NUMBER
Ges 5315 (LG)	120/60	USA, Canada	C211-12	50321070001
Ges 5320 (B4)	110/60	Taiwan	C211-13	From August '91 Production
Rex 1242 (B4)	110/60	Taiwan	C211-14	From August '91 Production
Rex 1241 (LG)	120/60	USA, Canada	C211-15	From August '91 Production
NSA CP315 (LG)	120/60	USA, Canada	C211-16	From August '91 Production
Ricoh VT2130 (LG)	120/60	USA, Canada	C211-17	C2801070012
Ricoh VT2100 (B4)	110/60	Taiwan	C211-19	From August '91 Production
Ges 5320 (B4)	220, 240/50	Asia	C211-22	50411070001
Rex 1242 (B4)	220, 240/50	Asia	C211-24	From August '91 Production
NSA CP310 (A4)	220, 240/50	Europe	C211-25	From August '91 Production
Ricoh VT2150 (A4)	220, 240/60	Europe	C211-27	C2801070001
Ricoh VT2100 (B4)	220, 240/60	Asia	C211-29	C2801070052
Ges 5310 (A4)	220, 240/60	Europe	C211-62	From August '91 Production
Rex 1240 (A4)	220, 240/60	Europe	C211-64	From August '91 Production

Model		VT2100/2130/2150, Ges5310/5315/5320, Rex1240/1241/1242, NSA CP310/315					Volt/Hz	Date of Modification	Serial Number	
Modified Article		Electrical components on A/D Conversion Board								
Reason for Modification		To prevent thin black line in 64% or 82% reduction mode								
Draw No.	Old Parts No.	New Parts No.	Description	A.B.C.	Q'ty Used Old → New	Inter-changeability	Part needed for replacement by new part		Parts Catalog	
				Rank			Part No.	Description	Index No.	Page
	14072339		TTL-IC - SN74LS24INS		1 → 0				132	69
		14071600	TTL-IC - SN74LS244NS		0 → 1	X/O				
	16100079		Resistor - 22KΩ 1/8W ± 5%		2 → 1				188	69
		16302472	Resistor - 4.7KΩ 1/8W ± 5%		0 → 1	X/O				

Rank: A : Replace with new parts immediately. B : Replace with new parts at time of repair. C : Replace with new parts at time of overhaul.
 Interchangeability:
 (1) When old and new parts are not mutually interchangeable, use additional parts or an assembly part as indicated in "Parts needed for replacement by new part" to install the new part.
 (2) The mark to the left of the slash indicates whether the old part can be used in the new machine, and the mark to the right indicates whether the new part can be used in the old machine. x = Not interchangeable o = Interchangeable

DETAILS OF MODIFICATION

Before mass-production, it was found that a thin vertical black line (One CCD pixel's width) appeared on the rear side of the copies when 64% (USA version machine) or 82% (The other versions machine) reduction mode was selected. To prevent this, the magnification ratios at their reduction modes were slightly altered by changing the PROM on the image processing board (For details, please refer to RTB No. 2.). The suffix at the end of the part number was modified as follows:

USA version Image Processing Board : C2118033A to C2118033B
The other versions Image Processing Board : C2118002A to C2118002B
PROM (Common for all version) : C2118004 to C2118004A

As a permanent solution, some electrical components on the A/D conversion board have been changed as follows:

IC601: 14072339 (IC - SN74LS241NS) to 14071600 (IC - SN74LS244NS)
R734: 16100079 (22K Ω tip type register) to 16302472 (4.7 K Ω tip type register)

The new A/D conversion board solves the above problem without the magnification ratio change. So, now the PROM on the image processing board has been changed back to the previous type. The part numbers of these parts are still the same, but their suffixes have been modified as follows for identification:

DETAILS OF MODIFICATION

A/D Conversion Board : C2038018A to C2038018B

USA version Image Processing Board : C2118033B to C2118033C

The other versions Image Processing Board : C2118002B to C2118002C

PROM : C2118004A to C2118004B

- NOTE: 1. The PROM C2118004B has completely the same function as the no-suffix ROM (C2118004).
2. When an old type A/D conversion board is installed with a machine equipped the new PROM (C2118004B), the black line will appear (only in the 64% or 82% reduction mode). So, the PROM should be changed back to the old type (C2118004A) at the same time.

T. Ito, Manager
Copier Technical Support

MODEL NAME	V/Hz	DESTINATION	CODE	SERIAL NUMBER
Ges 5315 (LG)	120/60	USA, Canada	C211-12	50321060001
Ges 5320 (B4)	110/60	Taiwan	C211-13	From July '91 Production
Rex 1242 (B4)	110/60	Taiwan	C211-14	From July '91 Production
Rex 1241 (LG)	120/60	USA, Canada	C211-15	From July '91 Production
NSA CP315 (LG)	120/60	USA, Canada	C211-16	From July '91 Production
Ricoh VT2130 (LG)	120/60	USA, Canada	C211-17	C2801060001
Ricoh VT2100 (B4)	110/60	Taiwan	C211-19	From July ' 91 Production
Ges 5320 (B4)	220, 240/50	Asia	C211-22	50411060001
Rex 1242 (B4)	220, 240/50	Asia	C211-24	From July ' 91 Production
NSA CP310 (A4)	220, 240/50	Europe	C211-25	50211060201
Ricoh VT2150 (A4)	220, 240/60	Europe	C211-27	C2801060046
Ricoh VT2100 (B4)	220, 240/60	Asia	C211-29	C2801060076
Ges 5310 (A4)	220, 240/60	Europe	C211-62	50211060001
Rex 1240 (A4)	220, 240/60	Europe	C211-64	From July ' 91 Production

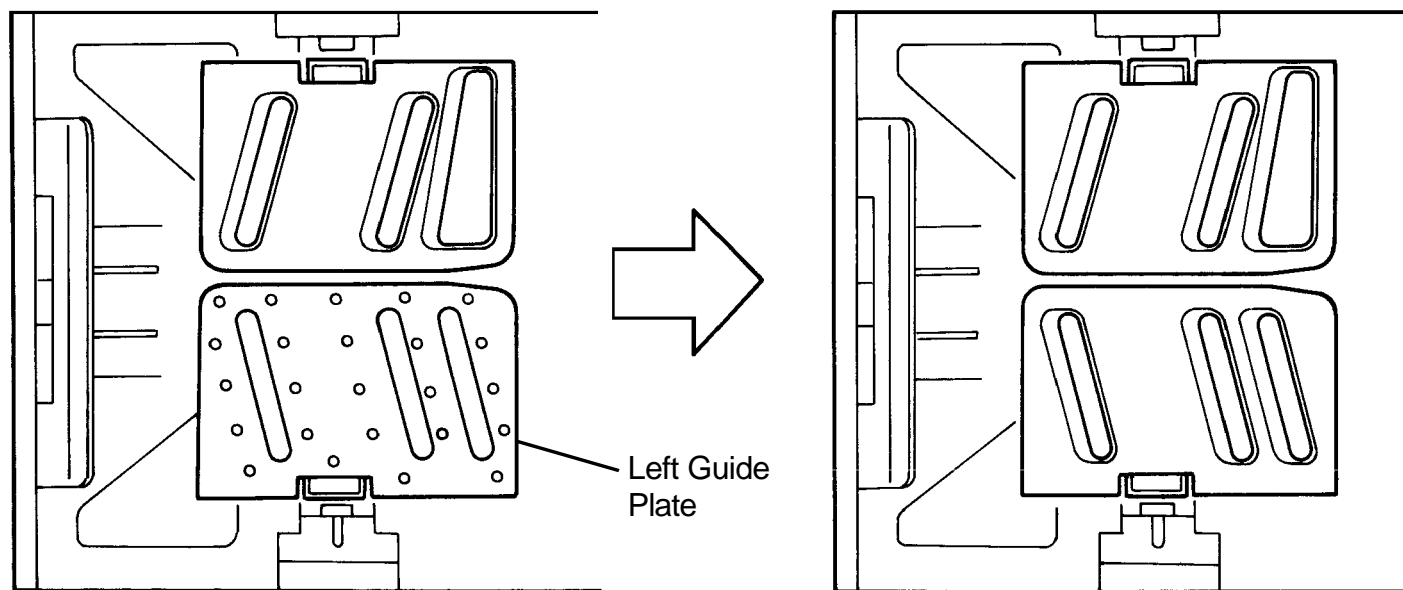
Model		VT2100/2130/2150, Ges5310/5315/5320, Rex1240/1241/1242, NSA CP310/315					Volt/Hz	Date of Modification	Serial Number	
Modified Article		Left Guide Plate								
Reason for Modification		To match the appearance of the Delivery Guide Plates								
Draw No.	Old Parts No.	New Parts No.	Description	A.B.C.	Q'ty Used Old → New	Inter-changeability	Part needed for replacement by new part		Parts Catalog	
				Rank			Part No.	Description	Index No.	Page
	C2076118	C2136118	Left Guide Plate		1 → 1	O/O			2	37

Rank: A : Replace with new parts immediately. B : Replace with new parts at time of repair. C : Replace with new parts at time of overhaul.
 Interchangeability:
 (1) When old and new parts are not mutually interchangeable, use additional parts or an assembly part as indicated in "Parts needed for replacement by new part" to install the new part.
 (2) The mark to the left of the slash indicates whether the old part can be used in the new machine, and the mark to the right indicates whether the new part can be used

DETAILS OF MODIFICATION

The right guide plate of the priport VT2000 series was changed from that of the priport SS series in order to allow for the installation of the tape dispenser unit. As a result, the appearance of the right guide plate was different from the old one. This was visible especially when the right and left guide plates were closed. (See figure)

Now the left guide plate has been changed to match its appearance with that of the right guide plate. The difference between the new and old one is only in the appearance of the backside (Interchangeability is O/O).



T. Ito, Manager
Copier Technical Support

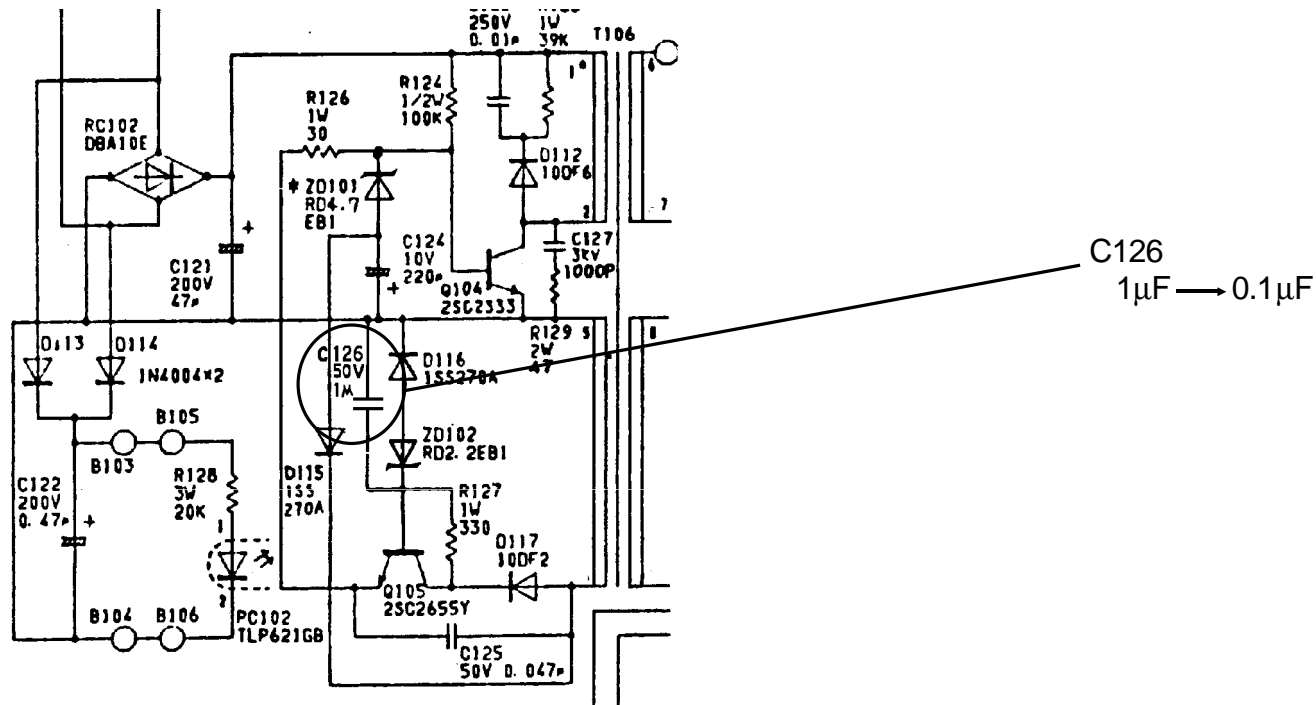
MODEL NAME	V/Hz	DESTINATION	CODE	SERIAL NUMBER
Ges 5315 (LG)	120/60	USA, Canada	C211-12	
Ges 5320 (B4)	110/60	Taiwan	C211-13	
Rex 1242 (B4)	110/60	Taiwan	C211-14	
Rex 1241 (LG)	120/60	USA, Canada	C211-15	
NSA CP315 (LG)	120/60	USA, Canada	C211-16	
Ricoh VT2130 (LG)	120/60	USA, Canada	C211-17	
Ricoh VT2100 (B4)	110/60	Taiwan	C211-19	
Ges 5320 (B4)	220, 240/50	Asia	C211-22	
Rex 1242 (B4)	220, 240/50	Asia	C211-24	
NSA CP310 (A4)	220, 240/50	Europe	C211-25	
Ricoh VT2150 (A4)	220, 240/60	Europe	C211-27	
Ricoh VT2100 (B4)	220, 240/60	Asia	C211-29	
Ges 5310 (A4)	220, 240/60	Europe	C211-62	
Rex 1240 (A4)	220, 240/60	Europe	C211-64	

DETAILS OF MODIFICATION

At the factory, it was found that the machine sometimes fails to start working if an operator repeatedly turns the main switch on and off very quickly. In this case, dc 5V is not supplied.

A capacitor used in the power supply unit has been changed so that power supply circuit responds quickly.

Part number of the power supply unit has not been changed but suffix has been changed to A.



Power Supply Unit C2138302 C2138302A

T. Ito, Manager
Copier Technical Support

MODEL NAME	V/Hz	DESTINATION	CODE	SERIAL NUMBER
Ges 5315 (LG)	120/60	USA, Canada	C211-12	50321070001
Ges 5320 (B4)	110/60	Taiwan	C211-13	From August '91 Production
Rex 1242 (B4)	110/60	Taiwan	C211-14	From August '91 Production
Rex 1241 (LG)	120/60	USA, Canada	C211-15	From August '91 Production
NSA CP315 (LG)	120/60	USA, Canada	C211-16	From August '91 Production
Ricoh VT2130 (LG)	120/60	USA, Canada	C211-17	C2801070012
Ricoh VT2100 (B4)	110/60	Taiwan	C211-19	From August '91 Production
Ges 5320 (B4)	220, 240/50	Asia	C211-22	50411070001
Rex 1242 (B4)	220, 240/50	Asia	C211-24	From August '91 Production
NSA CP310 (A4)	220, 240/50	Europe	C211-25	From August '91 Production
Ricoh VT2150 (A4)	220, 240/60	Europe	C211-27	C2801070001
Ricoh VT2100 (B4)	220, 240/60	Asia	C211-29	C2801070052
Ges 5310 (A4)	220, 240/60	Europe	C211-62	From August '91 Production
Rex 1240 (A4)	220, 240/60	Europe	C211-64	From August '91 Production

Model		VT2100/2130/2150, Ges5310/5315/5320, Rex1240/1241/1242, NSA CP310/315					Volt/Hz	Date of Modification	Serial Number	
Modified Article		Magnet Plate								
Reason for Modification		To increase attraction between the magnet catch and the magnet plate								
Draw No.	Old Parts No.	New Parts No.	Description	A.B.C.	Q'ty Used Old → New	Inter-change-ability	Part needed for replacement by new part		Parts Catalog	
				Rank			Part No.	Description	Index No.	Page
	C2002432	C2132435	Magnet Plate			X/O			24	9

Rank: A : Replace with new parts immediately. B : Replace with new parts at time of repair. C : Replace with new parts at time of overhaul.

Interchangeability:

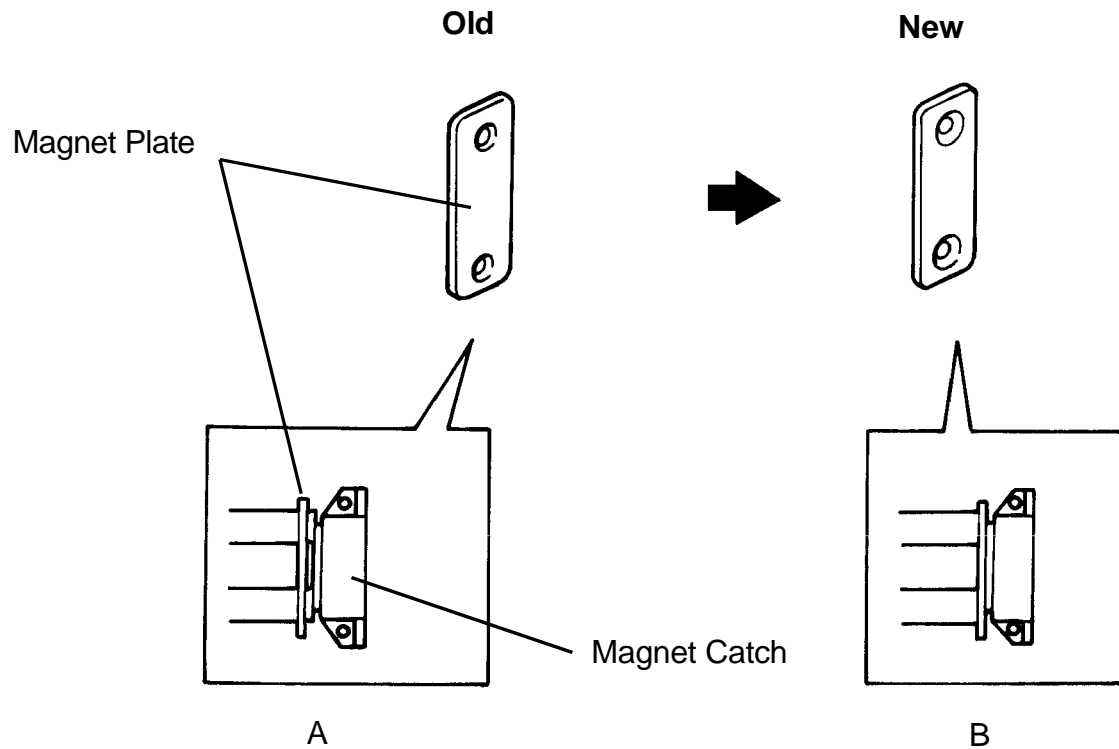
(1) When old and new parts are not mutually interchangeable, use additional parts or an assembly part as indicated in "Parts needed for replacement by new part" to install the new part.

(2) The mark to the left of the slash indicates whether the old part can be used in the new machine, and the mark to the right indicates whether the new part can be used in the old machine. x = Not interchangeable o = Interchangeable

DETAILS OF MODIFICATION

In VT series, the flat head screws fixing the magnet plate project out of the holes of the magnet plate because the heads of the screws are a little bigger than the holes. This weakens the attraction between the magnet catch and the magnet plate (illustration A).

To increase the attraction, the holes of the magnet plate have been made bigger so that the magnet sticks the magnet plate tightly (illustration B).

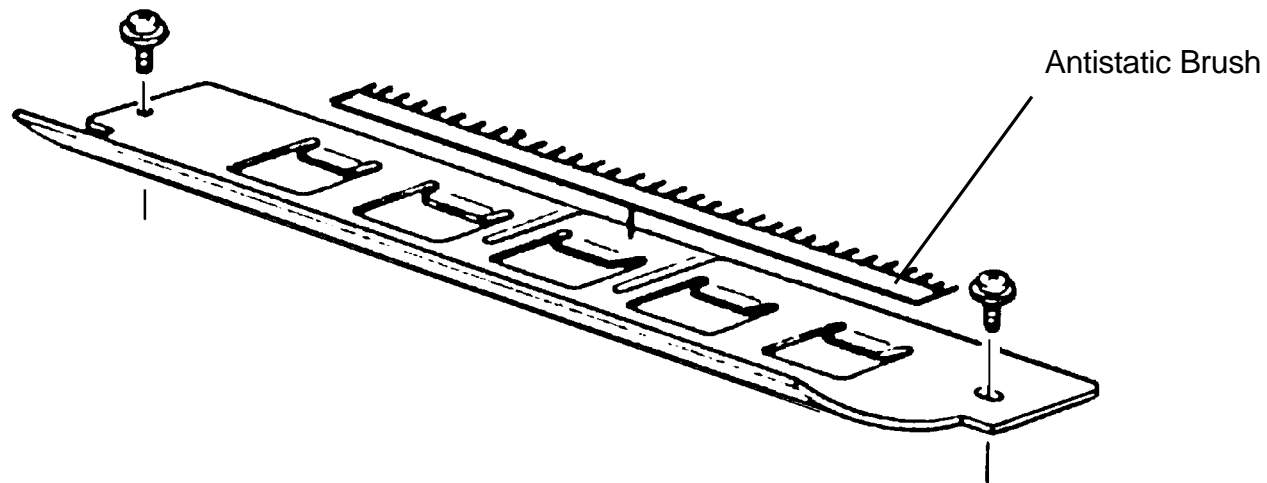


T. Ito, Manager
Copier Technical Support

MODEL NAME	V/Hz	DESTINATION	CODE	SERIAL NUMBER
Ges 5315 (LG)	120/60	USA, Canada	C211-12	From September '91 Production
Ges 5320 (B4)	110/60	Taiwan	C211-13	50431080007
Rex 1242 (B4)	110/60	Taiwan	C211-14	From September '91 Production
Rex 1241 (LG)	120/60	USA, Canada	C211-15	50321080181
NSA CP315 (LG)	120/60	USA, Canada	C211-16	From September '91 Production
Ricoh VT2130 (LG)	120/60	USA, Canada	C211-17	C2801080005
Ricoh VT2100 (B4)	110/60	Taiwan	C211-19	From September '91 Production
Ges 5320 (B4)	220, 240/50	Asia	C211-22	From September '91 Production
Rex 1242 (B4)	220, 240/50	Asia	C211-24	From September '91 Production
NSA CP310 (A4)	220, 240/50	Europe	C211-25	50211080006
Ricoh VT2150 (A4)	220, 240/60	Europe	C211-27	C2801080058
Ricoh VT2100 (B4)	220, 240/60	Asia	C211-29	C2801080106
Ges 5310 (A4)	220, 240/60	Europe	C211-62	50211080068
Rex 1240 (A4)	220, 240/60	Europe	C211-64	50211080220

DETAILS OF MODIFICATION

To prevent paper jamming under low humidity conditions caused by static electricity on the paper, an antistatic brush is added on the upper second feed roller guide plate. Refer to RTB No. 3 for details.



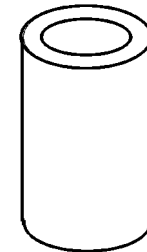
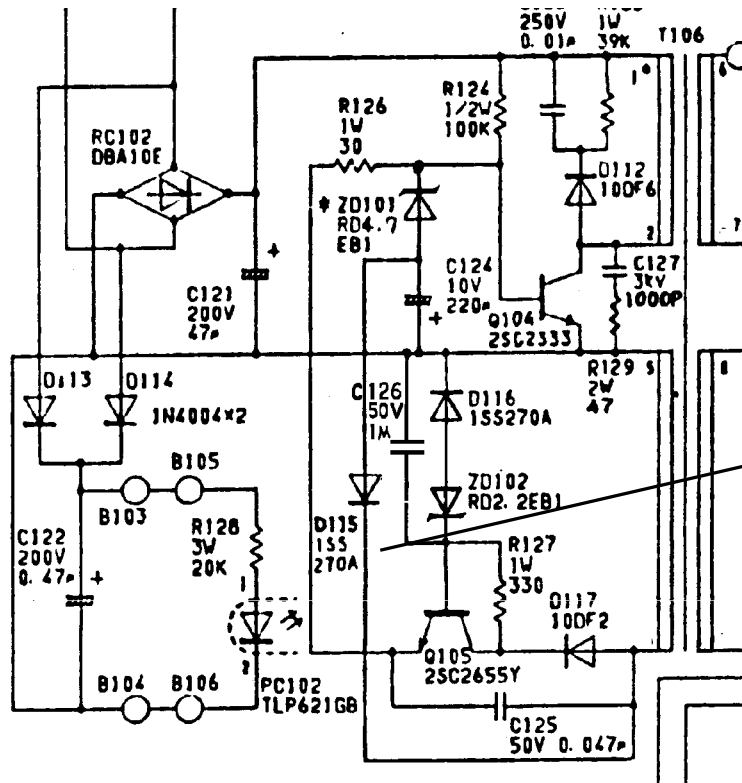
T. Ito, Manager
Copier Technical Support

MODEL NAME	V/Hz	DESTINATION	CODE	SERIAL NUMBER
Ges 5315 (LG)	120/60	USA, Canada	C211-12	50321070001
Ges 5320 (B4)	110/60	Taiwan	C211-13	50431080001
Rex 1242 (B4)	110/60	Taiwan	C211-14	From September '91 Production
Rex 1241 (LG)	120/60	USA, Canada	C211-15	50321080181
NSA CP315 (LG)	120/60	USA, Canada	C211-16	From september '91 Production
Ricoh VT2130 (LG)	120/60	USA, Canada	C211-17	C2801070001
Ricoh VT2100 (B4)	110/60	Taiwan	C211-19	From September '91 Production
Ges 5320 (B4)	220, 240/50	Asia	C211-22	50411070001
Rex 1242 (B4)	220, 240/50	Asia	C211-24	From September '91 Production
NSA CP310 (A4)	220, 240/50	Europe	C211-25	50211080001
Ricoh VT2150 (A4)	220, 240/60	Europe	C211-27	C2801070001
Ricoh VT2100 (B4)	220, 240/60	Asia	C211-29	C2801070052
Ges 5310 (A4)	220, 240/60	Europe	C211-62	50211080066
Rex 1240 (A4)	220, 240/60	Europe	C211-64	50211080215

DETAILS OF MODIFICATION

To ensure that the power supply circuit responds quickly (Refer to the MB No. 7), a ferrite core is added to the anode of the diode D115.

Part number of the power supply unit has not been changed but suffix has been changed to B.



Ferrite Core - B-20F-38

T. Ito, Manager
Copier Technical Support

	V/Hz	DESTINATION	CODE	SERIAL NUMBER
MODEL NAME				
Ges 5315 (LG)	120/60	USA, Canada	C211-12	50321070001
Ges 5320 (B4)	110/60	Taiwan	C211-13	From August '91 Production
Rex 1242 (B4)	110/60	Taiwan	C211-14	From August '91 Production
Rex 1241 (LG)	120/60	USA, Canada	C211-15	From August '91 Production
NSA CP315 (LG)	120/60	USA, Canada	C211-16	From August '91 Production
Ricoh VT2130 (LG)	120/60	USA, Canada	C211-17	C2801070012
Ricoh VT2100 (B4)	110/60	Taiwan	C211-19	From August '91 Production
Ges 5320 (B4)	220, 240/50	Asia	C211-22	50411070001
Rex 1242 (B4)	220, 240/50	Asia	C211-24	From August '91 Production
NSA CP310 (A4)	220, 240/50	Europe	C211-25	From August '91 Production
Ricoh VT2150 (A4)	220, 240/60	Europe	C211-27	C2801070001
Ricoh VT2100 (B4)	220, 240/60	Asia	C211-29	C2801070052
Ges 5310 (A4)	220, 240/60	Europe	C211-62	From August '91 Production
Rex 1240 (A4)	220, 240/60	Europe	C211-64	From August '91 Production

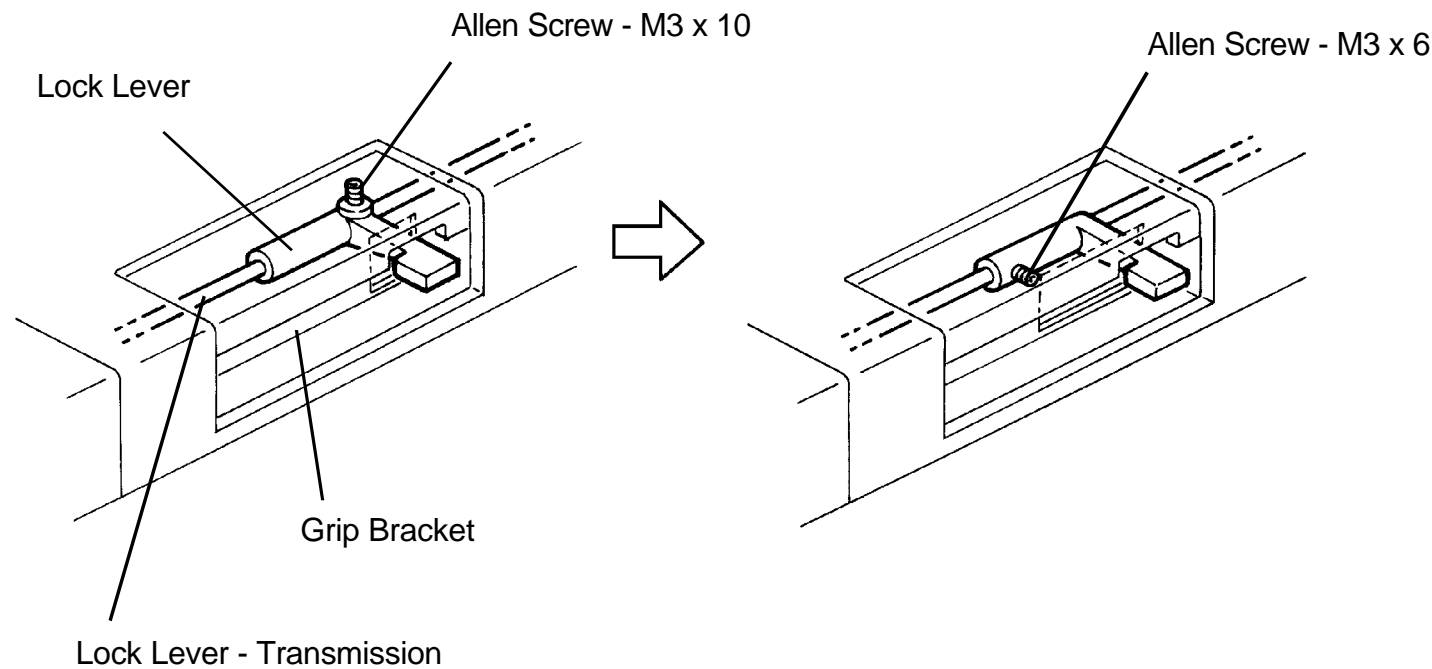
Model		VT2100/2130/2150, Ges5310/5315/5320, Rex1240/1241/1242, NSA CP310/315					Volt/Hz	Date of Modification	Serial Number	
Modified Article		Scanner Unit Lock Lever								
Reason for Modification		To facilitate servicing								
Draw No.	Old Parts No.	New Parts No.	Description	A.B.C.	Q'ty Used Old → New	Inter-changeability	Part needed for replacement by new part		Parts Catalog	
				Rank			Part No.	Description	Index No.	Page
	C2123122	C2033030	Grip Bracket - NRG			X/O			10	49
	C2033120	C2033118	Grip Bracket - Ricoh			X/O			10	49
	C2033032	C2133032	Lock Lever			X/X	X/O as a set		35	49
	C2033033	C2133033	Lock Lever - Transmission			X/X			25	49
	05530100E		Allen Screw - M3 x 10			X/O			116	49
		05530060E	Allen Screw - M3 x 6							

Rank: A : Replace with new parts immediately. B : Replace with new parts at time of repair. C : Replace with new parts at time of overhaul.
 Interchangeability:
 (1) When old and new parts are not mutually interchangeable, use additional parts or an assembly part as indicated in "Parts needed for replacement by new part" to install the new part.
 (2) The mark to the left of the slash indicates whether the old part can be used in the new machine, and the mark to the right indicates whether the new part can be used in the old machine. x = Not interchangeable o = Interchangeable

DETAILS OF MODIFICATION

In the present machines, it is difficult to tighten the screw fixing the lock lever to the shaft. It is necessary to remove the scanner unit to access the screw.

To facilitate servicing, the direction of the screw has been changed and the cutout of the bracket has been enlarged so that a customer engineer can access the screw from the cutout of the bracket.



T. Ito, Manager
Copier Technical Support

MODEL NAME	V/Hz	DESTINATION	CODE	SERIAL NUMBER
Ges 5315 (LG)	120/60	USA, Canada	C211-12	50321090001
Ges 5320 (B4)	110/60	Taiwan	C211-13	50431090001
Rex 1242 (B4)	110/60	Taiwan	C211-14	From October '91 Production
Rex 1241 (LG)	120/60	USA, Canada	C211-15	From October '91 Production
NSA CP315 (LG)	120/60	USA, Canada	C211-16	From October '91 Production
Ricoh VT2130 (LG)	120/60	USA, Canada	C211-17	C2801090001
Ricoh VT2100 (B4)	110/60	Taiwan	C211-19	From October '91 Production
Ges 5320 (B4)	220, 240/50	Asia	C211-22	50411090001
Rex 1242 (B4)	220, 240/50	Asia	C211-24	From October '91 Production
NSA CP310 (A4)	220, 240/50	Europe	C211-25	50211090001
Ricoh VT2150 (A4)	220, 240/60	Europe	C211-27	C2801090071
Ricoh VT2100 (B4)	220, 240/60	Asia	C211-29	C2801090199
Ges 5310 (A4)	220, 240/60	Europe	C211-62	50211090031
Rex 1240 (A4)	220, 240/60	Europe	C211-64	50211090131

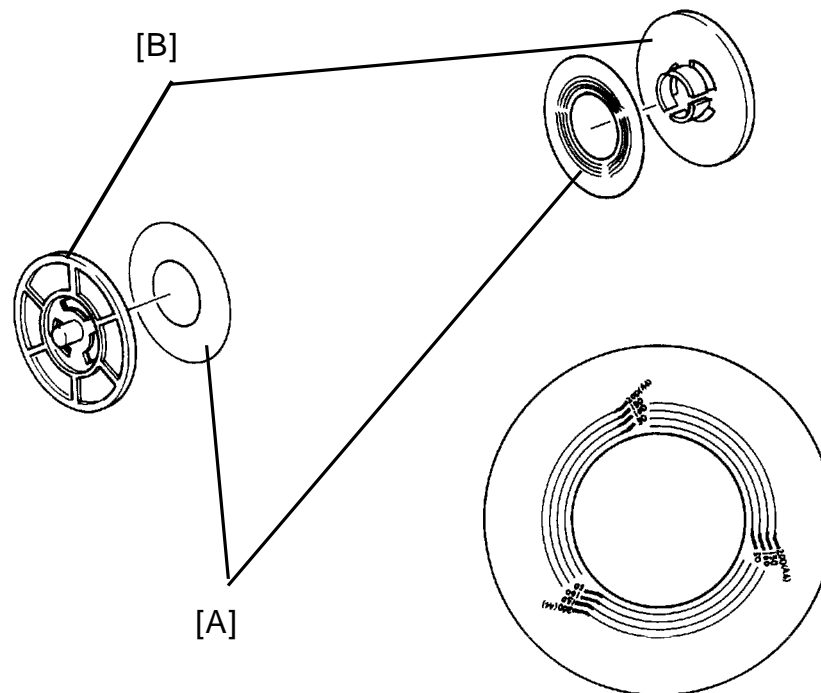
Model		VT2100/2130/2150, Ges5310/5315/5320, Rex1240/1241/1242, NSA CP310/315					Volt/Hz	Date of Modification	Serial Number	
Modified Article		Master Flange								
Reason for Modification		To meet fields' request								
Draw No.	Old Parts No.	New Parts No.	Description	A.B.C.	Q'ty Used Old → New	Inter-changeability	Part needed for replacement by new part		Parts Catalog	
				Rank			Part No.	Description	Index No.	Page
	C2014005		Master Roll Flange - LG/A4						2	87
		C2074010	Master Roll Flange - LG		1 → 1	X/O			2	87
		C2114025	Master Roll Flange - A4		1 → 1	X/O			2	87
	C2134042	C2134041	Master Roll Flange - B4		1 → 1	X/O			2	87
		C2074011	Master Flange Decal		0 → 1				*24	87
		C2114026	Master Flange Decal - A4		0 → 1				*24	87
								* New Index		

Rank: A : Replace with new parts immediately. B : Replace with new parts at time of repair. C : Replace with new parts at time of overhaul.
 Interchangeability:
 (1) When old and new parts are not mutually interchangeable, use additional parts or an assembly part as indicated in "Parts needed for replacement by new part" to install the new part.
 (2) The mark to the left of the slash indicates whether the old part can be used in the new machine, and the mark to the right indicates whether the new part can be used in the old machine. x = Not interchangeable o = Interchangeable

DETAILS OF MODIFICATION

A master flange decal [A], which shows how much master is left on the roll, has been added to the master roll flange [B]. The following table shows the machine type, flange, and decal combination.

Machines	Paper Size	Flange (with decal)	Decal
VT2130, Ges 5315, Rex1241, NSA CP315	LG	C2074010	C2074011
VT2100, Ges 5320, Rex 1242	B4	C2074041	
VT2150, Ges 5310, Rex 1240, NSA CP310	A4	C2114025	C2114026



T. Ito, Manager
Copier Technical Support

MODEL NAME	V/Hz	DESTINATION	CODE	SERIAL NUMBER
Ges 5315 (LG)	120/60	USA, Canada	C211-12	50321090001
Ges 5320 (B4)	110/60	Taiwan	C211-13	50431090001
Rex 1242 (B4)	110/60	Taiwan	C211-14	From October '91 Production
Rex 1241 (LG)	120/60	USA, Canada	C211-15	From October '91 Production
NSA CP315 (LG)	120/60	USA, Canada	C211-16	From October '91 Production
Ricoh VT2130 (LG)	120/60	USA, Canada	C211-17	C2801090001
Ricoh VT2100 (B4)	110/60	Taiwan	C211-19	From October '91 Production
Ges 5320 (B4)	220, 240/50	Asia	C211-22	50411090001
Rex 1242 (B4)	220, 240/50	Asia	C211-24	From October '91 Production
NSA CP310 (A4)	220, 240/50	Europe	C211-25	50211090001
Ricoh VT2150 (A4)	220, 240/60	Europe	C211-27	C2801090071
Ricoh VT2100 (B4)	220, 240/60	Asia	C211-29	C2801090199
Ges 5310 (A4)	220, 240/60	Europe	C211-62	50211090031
Rex 1240 (A4)	220, 240/60	Europe	C211-64	50211090131

DETAILS OF MODIFICATION

To increase the reliability, the pressure spring link is modified as shown in the illustration 1. Due to this modification, the adjustment value of the bolt clearance [A] has been changed as shown in the illustration 2.

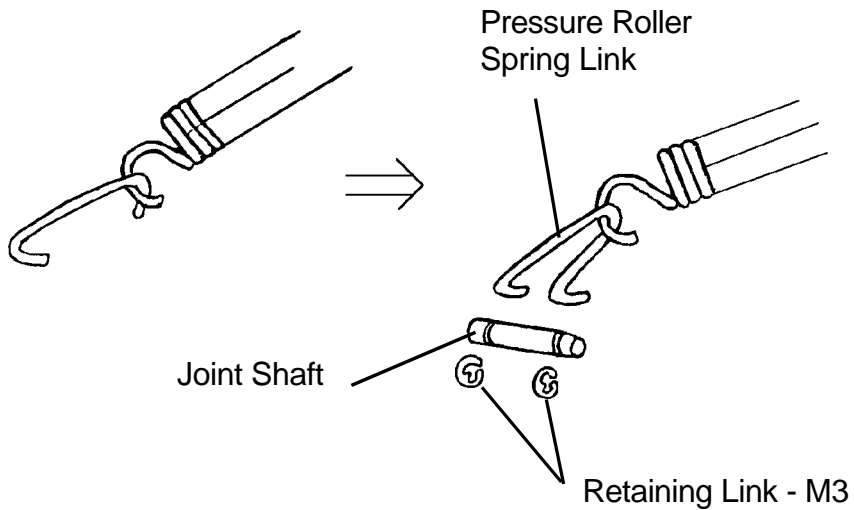


Illustration 1

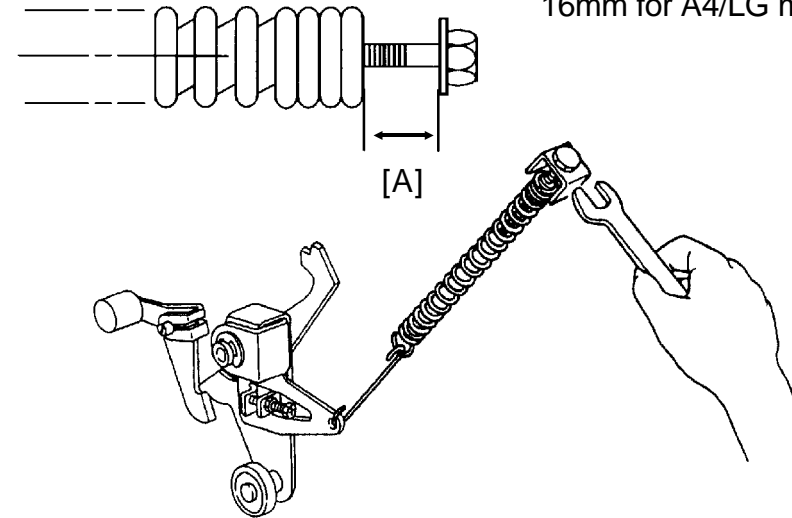


Illustration 2

Standard Setting:

11mm for B4 machines

16mm for A4/LG machines

T. Ito, Manager
Copier Technical Support

MODEL NAME	V/Hz	DESTINATION	CODE	SERIAL NUMBER
Ges 5315 (LG)	120/60	USA, Canada	C211-12	50321110001
Ges 5320 (B4)	110/60	Taiwan	C211-13	50431110001
Rex 1242 (B4)	110/60	Taiwan	C211-14	From December '91 Produciton
Rex 1241 (LG)	120/60	USA, Canada	C211-15	From December '91 Produciton
NSA CP315 (LG)	120/60	USA, Canada	C211-16	From December '91 Produciton
Ricoh VT2130 (LG)	120/60	USA, Canada	C211-17	C2801110001
Ricoh VT2100 (B4)	110/60	Taiwan	C211-19	From December '91 Produciton
Ges 5320 (B4)	220, 240/50	Asia	C211-22	50411110001
Rex 1242 (B4)	220, 240/50	Asia	C211-24	From December '91 Produciton
NSA CP310 (A4)	220, 240/50	Europe	C211-25	From December '91 Produciton
Ricoh VT2150 (A4)	220, 240/60	Europe	C211-27	C2801110079
Ricoh VT2100 (B4)	220, 240/60	Asia	C211-29	C2801110095
Ges 5310 (A4)	220, 240/60	Europe	C211-62	From December '91 Produciton
Rex 1240 (A4)	220, 240/60	Europe	C211-64	From December '91 Produciton

Model	VT2100/2130/2150, Ges5310/5315/5320, Rex1240/1241/1242, NSA CP310/315	Volt/Hz	Date of Modification	Serial Number
Modified Article	Parts Catalog			
Reason for Modification	Parts catalog correction (NRG Version Only)			

Please correct your parts catalog as follows:

Incorrect Part Number	Correct Part Number	Description	Page	Index No.
C2134584	C2134583	Tetron Screen - B4	41	36



T. Ito, Manager
Copier Technical Support

MODEL NAME	V/Hz	DESTINATION	CODE	SERIAL NUMBER
Ges 5315 (LG)	120/60	USA, Canada	C211-12	
Ges 5320 (B4)	110/60	Taiwan	C211-13	
Rex 1242 (B4)	110/60	Taiwan	C211-14	
Rex 1241 (LG)	120/60	USA, Canada	C211-15	
NSA CP315 (LG)	120/60	USA, Canada	C211-16	
Ricoh VT2130 (LG)	120/60	USA, Canada	C211-17	
Ricoh VT2100 (B4)	11 0/60	Taiwan	C211-19	
Ges 5320 (B4)	220, 240/50	Asia	C211 -22	
Rex 1242 (B4)	220, 240/50	Asia	C211-24	
NSA CP310 (A4)	220, 240/50	Europe	C211 -25	
Ricoh VT2150 (A4)	220, 240/60	Europe	C211 -27	
Ricoh VT2100 (B4)	220, 240/60	Asia	C211 -29	
Ges 5310 (A4)	220, 240/60	Europe	C211-62	
Rex 1240 (A4)	220, 240/60	Europe	C211-64	

Model	VT2100/2130/2150, Ges5310/5315/5320, Rex1240/1241/1242/, NSA CP310/315	Volt/Hz	Date of Modification	Serial Number
Modified Article	Ink Antechamber			
Reason for Modification	Vender change			

Due to vendor change, the ink antechamber has been changed. The interchangeability is O/O.

Old Part Number	New Part Number	Description	Page	Index
C2004810	C2134810	Ink Antechamber	39	31

T. Ito, Manager
Copier Technical Support

MODEL NAME	V/Hz	DESTINATION	CODE	SERIAL NUMBER
Ges 5315 (LG)	120/60	USA, Canada	C211-12	50322020001
Ges 5320 (B4)	110/60	Taiwan	C211-13	50432020001
Rex 1242 (B4)	110/60	Taiwan	C211-14	50432030001
Rex 1241 (LG)	120/60	USA, Canada	C211-15	50322020094
NSA CP315 (LG)	120/60	USA, Canada	C211-16	From April '92 Production
Ricoh VT2130 (LG)	120/60	USA, Canada	C211-17	C2802020001
Ricoh VT2100 (B4)	110/60	Taiwan	C211-19	C2802030031
Ges 5320 (B4)	220, 240/50	Asia	C211-22	50412020001
Rex 1242 (B4)	220, 240/50	Asia	C211-24	From April '92 Production
NSA CP310 (A4)	220, 240/50	Europe	C211-25	50212020001
Ricoh VT2150 (A4)	220, 240/60	Europe	C211-27	C2802020051
Ricoh VT2100 (B4)	220, 240/60	Asia	C211-29	C2802020096
Ges 5310 (A4)	220, 240/60	Europe	C211-62	50212020011
Rex 1240 (A4)	220, 240/60	Europe	C211-64	50212020037

Model	VT2100/2130/2150, Ges5310/5315/5320, Rex1240/1241/1242, NSA CP 310/315	Volt/Hz	Date of Modification	Serial Number
Modified Article	Parts Catalog			
Reason for Modification	Parts Catalog Correction			

Please correct your parts catalog as follows:

Incorrect Part Number	Correct Part Number	Description	Page	Index
C2033017	C2123114	Original Guide	49	5

T. Ito, Manager
Copier Technical Support

MODEL NAME	V/Hz	DESTINATION	CODE	SERIAL NUMBER
Ges 5315 (LG)	120/60	USA, Canada	C211-12	
Ges 5320 (B4)	110/60	Taiwan	C211-13	
Rex 1242 (B4)	110/60	Taiwan	C211-14	
Rex 1241 (LG)	120/60	USA, Canada	C211-15	
NSA CP315 (LG)	120/60	USA, Canada	C211-16	
Ricoh VT2130 (LG)	120/60	USA, Canada	C211-17	
Ricoh VT2100 (B4)	110/60	Taiwan	C211-19	
Ges 5320 (B4)	220, 240/50	Asia	C211-22	
Rex 1242 (B4)	220, 240/50	Asia	C211-24	
NSA CP310 (A4)	220, 240/50	Europe	C211-25	
Ricoh VT2150 (A4)	220, 240/60	Europe	C211-27	
Ricoh VT2100 (B4)	220, 240/60	Asia	C211-29	
Ges 5310 (A4)	220, 240/60	Europe	C211-62	
Rex 1240 (A4)	220, 240/60	Europe	C211-64	

Model	VT2100/2130/2150, Ges5310/5315/5320, Rex1240/1241/1242, NSA CP310/315	Volt/Hz	Date of Modification	Serial Number
Modified Article	Drum drive gear			
Reason for Modification	To increase durability			

To increase durability, the material of the drum drive gears (drum side and machine side) have been changed.

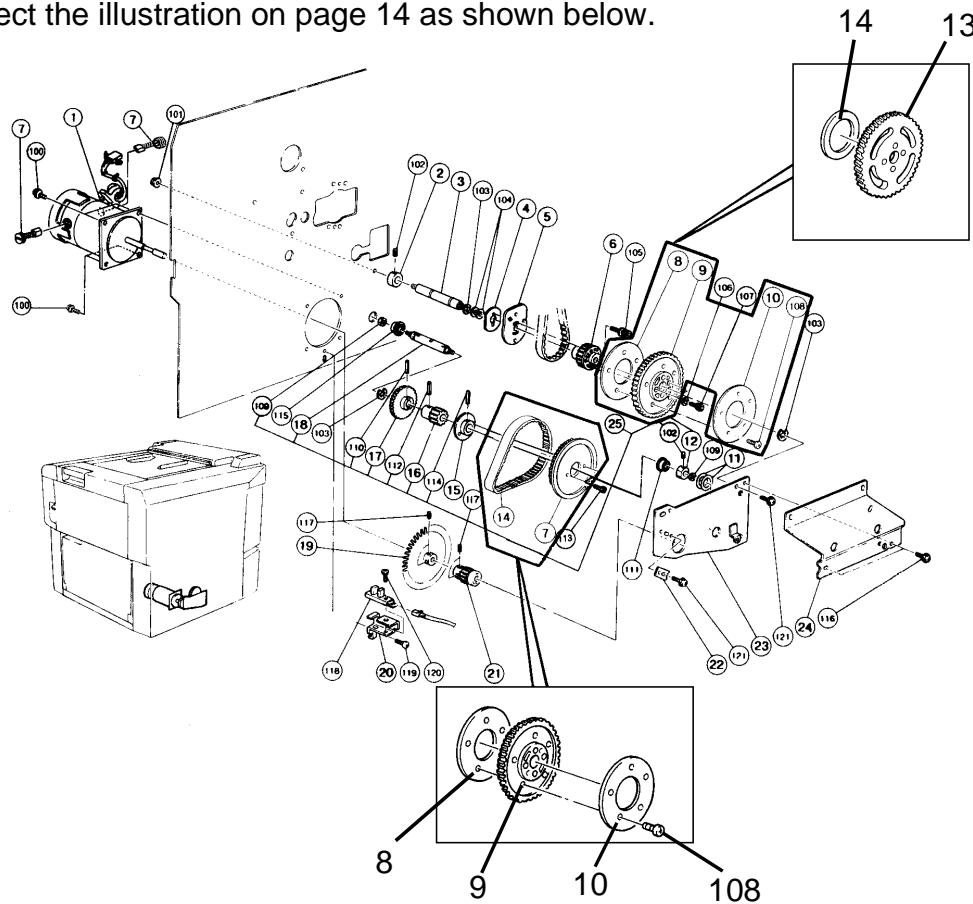
Old Part Number	New Part Number	Description	Interchangeability	Page	Index
C2012218	C2132218	Stud & Gear - 30T	X/O	13	1
C2032330	C2132330	Drum Drive Gear/Pulley Ass'y	X/O	13	36
C2034560	C2134560	Rear Drum Flange	X/O	41	41

T. Ito, Manager
Copier Technical Support

MODEL NAME	V/Hz	DESTINATION	CODE	SERIAL NUMBER
Ges 5315 (LG)	120/60	USA, Canada	C211-12	From July '92 Production
Ges 5320 (B4)	110/60	Taiwan	C211-13	From July '92 Production
Rex 1242 (B4)	110/60	Taiwan	C211-14	From July '92 Production
Rex 1241 (LG)	120/60	USA, Canada	C211-15	From July '92 Production
NSA CP315 (LG)	120/60	USA, Canada	C211-16	From July '92 Production
Ricoh VT2130 (LG)	120/60	USA, Canada	C211-17	From July '92 Production
Ricoh VT2100 (B4)	110/60	Taiwan	C211-19	From July '92 Production
Ges 5320 (B4)	220, 240/50	Asia	C211-22	50412060001
Rex 1242 (B4)	220, 240/50	Asia	C211-24	50212060001
NSA CP310 (A4)	220, 240/50	Europe	C211-25	C2802060074
Ricoh VT2150 (A4)	220, 240/60	Europe	C211-27	From July '92 Production
Ricoh VT2100 (B4)	220, 240/60	Asia	C211-29	From July '92 Production
Ges 5310 (A4)	220, 240/60	Europe	C211-62	50212060027
Rex 1240 (A4)	220, 240/60	Europe	C211-64	50212060118

Model	VT2100/2130/2150, Ges5310/5315/5320, Rex1240/1241/1242, NSA CP310/315	Volt/Hz	Date of Modification	Serial Number
Modified Article	Parts Catalog			
Reason for Modification	Parts catalog correction			

Please correct the illustration on page 14 as shown below.



T. Ito, Manager
Copier Technical Support

MODEL NAME	V/Hz	DESTINATION	CODE	SERIAL NUMBER
Ges 5315 (LG)	120/60	USA, Canada	C211-12	
Ges 5320 (B4)	110/60	Taiwan	C211-13	
Rex 1242 (B4)	110/60	Taiwan	C211-14	
Rex 1241 (LG)	120/60	USA, Canada	C211-15	
NSA CP315 (LG)	120/60	USA, Canada	C211-16	
Ricoh VT2130 (LG)	120/60	USA, Canada	C211-17	
Ricoh VT2100 (B4)	110/60	Taiwan	C211-19	
Ges 5320 (B4)	220, 240/50	Asia	C211-22	
Rex 1242 (B4)	220, 240/50	Asia	C211-24	
NSA CP310 (A4)	220, 240/50	Europe	C211-25	
Ricoh VT2150 (A4)	220, 240/60	Europe	C211-27	
Ricoh VT2100 (B4)	220, 240/60	Asia	C211-29	
Ges 5310 (A4)	220, 240/60	Europe	C211-62	
Rex 1240 (A4)	220, 240/60	Europe	C211-64	

Model		VT2100/2130/2150, Ges5310/5315/5320, Rex1240/1241/1242, NSA CP310/315					Volt/Hz	Date of Modification	Serial Number	
Modified Article		Reverse Roller Clutch								
Reason for Modification		To erase horizontal white line in photo mode								
Draw No.	Old Parts No.	New Parts No.	Description	Rank	Q'ty Used Old → New	Inter-change-ability	Part needed for replacement by new part		Parts Catalog	
							Part No.	Description	No.	Page
	C2118045	C2118057	IC - TMM27256BD - 20		1 → 1	O/O			29	63
	C2118114	C2118118	Main Control Board - A4		1 → 1	O/O			30	63
	C2118112	C2118116	Main Control Board - LG		1 → 1	O/O			30	63
	C2118113	C2118117	Main Control Board - B4		1 → 1	O/O			30	63

Rank: A : Replace with new parts immediately. B : Replace with new parts at time of repair. C : Replace with new parts at time of overhaul.

Interchangeability:

(1) When old and new parts are not mutually interchangeable, use additional parts or an assembly part as indicated in "Parts needed for replacement by new part" to install the new part.

(2) The mark to the left of the slash indicates whether the old part can be used in the new machine, and the mark to the right indicates whether the new part can be used in the old machine. x = Not interchangeable o = Interchangeable

Draw No.	Old Parts No.	New Parts No.	Description	Rank	Q'ty Used Old → New	Inter-changeability	Part needed for replacement by new part		Parts Catalog		
							Part No.	Description	No.	Page	
	C2008440		Reverse Roller Solenoid		1 → 0						
	C2004223		Reverse Solenoid Bracket		1 → 0						
	C2004216		Reverse Roller Clutch Barrel		1 → 0						
	C2004217		Reverse Roller Clutch Sleeve		1 → 0						
	C2004215		Reverse Roller Clutch Spring		1 → 0						
	C2004213		Pulley - 28T		1 → 0						
	C2014068		Reverse Roller Clutch Pawl		1 → 0			X/O as a set			
	56073616		Guide Plate Spring		1 → 0						
	06220060E		Spring Pin - 2 x 6mm		1 → 0						
	03140080Z		Philips Screw - 4 x 8		1 → 0						
	05740060E		Hexagon Headless Screw - M4 x 6		1 → 0						
	03130200Z		Philips Screw - 3 x 5		1 → 0						
	C2134046		Upper Reverse Roller		1 → 0						
		C2154200	Clutch Stopper		0 → 1						
		C2158240	Reverse Roller Clutch		0 → 1						
		09604008Z	Flange Head Screw - 4 x 8		0 → 1						
		C2154046	Upper Reverse Roller		0 → 1						

DETAILS OF MODIFICATION

It has been found that a horizontal thin white line appears 64 mm from the leading edge of prints. The line may be visible when the image is made using the photo mode. This line is caused by a shock wave when the master is clamped by the drum master clamber.

1. To erase this white line, the software has been changed to delay the timing of the master clamping. With the old software, the reverse roller solenoid [A] and the master clamber solenoid were turned off at the same time. (Due to the slow response of the old spring clutch, the reverse roller stops feeding the master after the master was clamped.) The new software enables that the master is clamped when the master is fed 2 mm further after the reverse roller stops feeding the master. This allows to make a small buckle of the master, which absorbs the shock wave, between the platen roller and the reverse roller before the leading edge of the master is clamped.

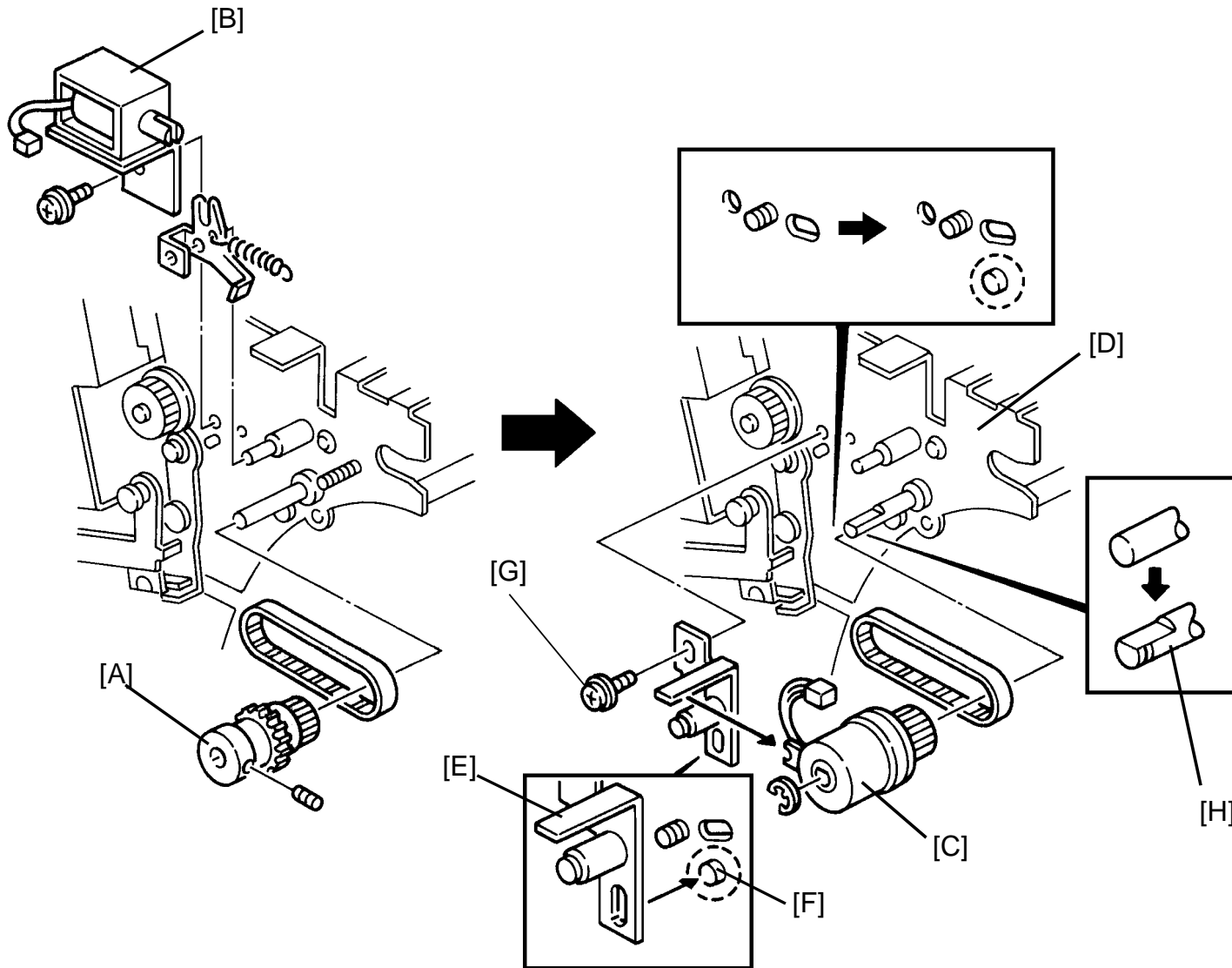
The new ROM can be used also for existing machines. The only side effect is that the image on prints is forwarded about 1 or 2 mm due to the slow response of the old mechanism. (This value varies due to ratchets of the clutch gear.) If the old ROM is used for a modified machine (this is the same situation as the new clutch mechanism installed on the old machine), the image is shifted approximately 0.6 mm backwards.

NOTE: The part numbers of the ROMs and main PCBs for the VT2000 series have been changed. The main PCBs have not been changed except for the ROMs. The old PCBs and the new PCBs are interchangeable.

2. To enable the proper reverse roller stop timing, the reverse roller clutch mechanism has been changed from the combination of a solenoid [A] and a spring clutch [B] to an electrical clutch [C]. To cope with the strictly controlled reverse roller stop timing, the electrical clutch responds a little bit quicker than the old clutch mechanism. (If the old spring clutch is used, the only side effect is as mentioned above.)

To make assembly of the clutch stopper [E] in the factory easier, a projection [F] is added on the right side plate [D] (C2164005). Even if the side plate does not have this projection, the clutch stopper can be installed on the side plate with one screw [G] (09604008Z). So, the part number of the right side plate has not been changed. Also, the shape of the upper reverse roller shaft [H] has been changed to match the electrical clutch. The old spring clutch [B] can be replaced with the new electrical clutch [C] (C2158240) with the clutch stopper [G] (C2154200) and the upper reverse roller (C2154046).

DETAILS OF MODIFICATION



T. Ito, Manager
Copier Technical Support

MODEL NAME	V/Hz	DESTINATION	CODE	SERIAL NUMBER
Ges 5315 (LG)	120/60	USA, Canada	C211-12	50323040001
Ges 5320 (B4)	110/60	Taiwan	C211-13	From September '93 Production
Rex 1242 (B4)	110/60	Taiwan	C211-14	From September '93 Production
Rex 1241 (LG)	120/60	USA, Canada	C211-15	From September '93 Production
NSA CP315 (LG)	120/60	USA, Canada	C211-16	From September '93 Production
Ricoh VT2130 (LG)	120/60	USA, Canada	C211-17	C2803040001
Ricoh VT2100 (B4)	110/60	Taiwan	C211-19	C2803060011
Ges 5320 (B4)	220, 240/50	Asia	C211-22	50413040001
Rex 1242 (B4)	220, 240/50	Asia	C211-24	50413040006
NSA CP310 (A4)	220, 240/50	Europe	C211-25	50513050006
Ricoh VT2150 (A4)	220, 240/60	Europe	C211-27	C2803080001
Ricoh VT2100 (B4)	220, 240/60	Asia	C211-29	From September '93 Production
Ges 5310 (A4)	220, 240/60	Europe	C211-62	From September '93 Production
Rex 1240 (A4)	220, 240/60	Europe	C211-64	From September '93 Production

Model	VT2100/2130/2150, Ges 5310/5315/5320, Rex 1240, 1241, 1242, NSA CP310/315	Volt/Hz	Date of Modification	Serial Number
Modified Article	Upper Hinge - Front Door			
Reason for Modification	Parts standardization			

Due to parts standardization, the following part has been changed.

Old P/N	New P/N	Description	Q'ty Used	Inter-change-ability	Parts Catalog	
					Index No.	Page
C2132405	C2162405	Upper Hinge - Front Door	1 → 1	O/O	25	3

S. Hamano, Assistant General Manager
Technical Support Department

MODEL NAME	V/Hz	DESTINATION	CODE	SERIAL NUMBER
Ges 5315 (LG)	120/60	USA, Canada	C211-12	
Ges 5320 (B4)	110/60	Taiwan	C211-13	
Rex 1242 (B4)	110/60	Taiwan	C211-14	
Rex 1241 (LG)	120/60	USA, Canada	C211-15	
NSA CP315 (LG)	120/60	USA, Canada	C211-16	
Ricoh VT2130 (LG)	120/60	USA, Canada	C211-17	
Ricoh VT2100 (B4)	110/60	Taiwan	C211-19	
Ges 5320 (B4)	220, 240/50	Asia	C211-22	
Rex 1242 (B4)	220, 240/50	Asia	C211-24	
NSA CP310 (A4)	220, 240/50	Europe	C211-25	
Ricoh VT2150 (A4)	220, 240/60	Europe	C211-27	
Ricoh VT2100 (B4)	220, 240/60	Asia	C211-29	
Ges 5310 (A4)	220, 240/60	Europe	C211-62	
Rex 1240 (A4)	220, 240/60	Europe	C211-64	

Model	VT2100/2130/2150, Ges5310/5315/5320, Rex1240, 1241, 1242, NSA CP310/315	Volt/Hz	Date of Modification	Serial Number
Modified Article	Lever Shaft			
Reason for Modification	To facilitate servicing			

Draw No.	Old Parts No.	New Parts No.	Description	Rank	Q'ty Used Old→New	Inter-change-ability	Parts needed for replacement by new part		Parts Catalog	
							Part No.	Description	No.	Page
	C2035010		Lever Shaft		2 → 0				4	23
		C2095220	Spacer - 4 x 20 x 6		0 → 2			O/O as a set	4	23
		03140100Z	Philips Screw - M4 x 10		0 → 2				*111	23
								* New Index		

Rank: A : Replace with new parts immediately. B : Replace with new parts at time of repair. C : Replace with new parts at time of overhaul.

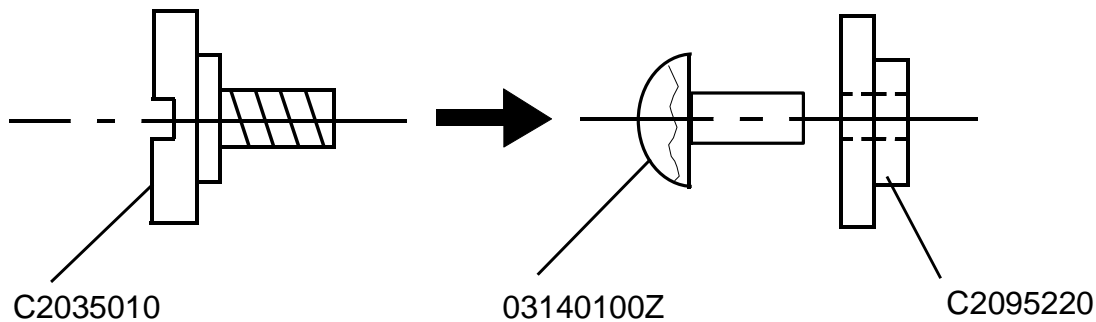
Interchangeability:

(1) When old and new parts are not mutually interchangeable, use additional parts or an assembly part as indicated in "Parts needed for replacement by new part" to install the new part.

(2) The mark to the left of the slash indicates whether the old part can be used in the new machine, and the mark to the right indicates whether the new part can be used in the old machine. x = Not interchangeable o = Interchangeable

DETAILS OF MODIFICATION

To facilitate servicing, the stepped screw supporting the paper feed pressure lever has been changed with a combination of a spacer and a philips screw - M4 x 10.



S. Hamano, Assistant General Manager
Technical Support Department

MODEL NAME	V/Hz	DESTINATION	CODE	SERIAL NUMBER
Ges 5315 (LG)	120/60	USA, Canada	C211-12	
Ges 5320 (B4)	110/60	Taiwan	C211-13	
Rex 1242 (B4)	110/60	Taiwan	C211-14	
Rex 1241 (LG)	120/60	USA, Canada	C211-15	
NSA CP315 (LG)	120/60	USA, Canada	C211-16	
Ricoh VT2130 (LG)	120/60	USA, Canada	C211-17	
Ricoh VT2100 (B4)	110/60	Taiwan	C211-19	
Ges 5320 (B4)	220, 240/50	Asia	C211-22	
Rex 1242 (B4)	220, 240/50	Asia	C211-24	
NSA CP310 (A4)	220, 240/50	Europe	C211-25	
Ricoh VT2150 (A4)	220, 240/60	Europe	C211-27	
Ricoh VT2100 (B4)	220, 240/60	Asia	C211-29	
Ges 5310 (A4)	220, 240/60	Europe	C211-62	

Model	VT2100/2130/2150, Ges 5310/5315/5320, Rex1240/1241/1242, NSA CP310/315	Volt/Hz	Date of Modification	Serial Number
Modified Article	Operation Panel Cover, Drum Rail Stay			
Reason for Modification	Parts standardization			

Due to parts standardization, the following parts have been changed.

Old P/N	New P/N	Description	Q'ty Used	Inter-change-ability	Parts Catalog	
					Index No.	Page
C2032752	C2152430	Operation Panel Cover	1 → 1	O/O	7	9
C2134502	C2154502	Drum Rail Stay	1 → 1	O/O	32	11

S. Hamano, Assistant General Manager
 Technical Support Department

MODEL NAME	V/Hz	DESTINATION	CODE	SERIAL NUMBER
Ges 5315 (LG)	120/60	USA, Canada	C211-12	
Ges 5320 (B4)	110/60	Taiwan	C211-13	
Rex 1242 (B4)	110/60	Taiwan	C211-14	
Rex 1241 (LG)	120/60	USA, Canada	C211-15	
NSA CP315 (LG)	120/60	USA, Canada	C211-16	
Ricoh VT2130 (LG)	120/60	USA, Canada	C211-17	
Ricoh VT2100 (B4)	110/60	Taiwan	C211-19	
Ges 5320 (B4)	220, 240/50	Asia	C211-22	
Rex 1242 (B4)	220, 240/50	Asia	C211-24	
NSA CP310 (A4)	220, 240/50	Europe	C211-25	
Ricoh VT2150 (A4)	220, 240/60	Europe	C211-27	
Ricoh VT2100 (B4)	220, 240/60	Asia	C211-29	
Ges 5310 (A4)	220, 240/60	Europe	C211-62	

Model	VT2100/2130/2150, Ges 5310/5315/5320, Rex1240/1241/1242, NSA CP310/315	Volt/Hz	Date of Modification	Serial Number
Modified Article	Operation Panel Cover, Drum Rail Stay			
Reason for Modification	Parts standardization			

Due to parts standardization, the following parts have been changed.

Old P/N	New P/N	Description	Q'ty Used	Inter-change-ability	Parts Catalog	
					Index No.	Page
C2112830	C2112840	Operation Panel Cover	1 → 1	O/O	7	9
C2134502	C2154502	Drum Rail Stay	1 → 1	O/O	32	11

S. Hamano, Assistant General Manager
 Technical Support Department

MODEL NAME	V/Hz	DESTINATION	CODE	SERIAL NUMBER
Ges 5315 (LG)	120/60	USA, Canada	C211-12	
Ges 5320 (B4)	110/60	Taiwan	C211-13	
Rex 1242 (B4)	110/60	Taiwan	C211-14	
Rex 1241 (LG)	120/60	USA, Canada	C211-15	
NSA CP315 (LG)	120/60	USA, Canada	C211-16	
Ricoh VT2130 (LG)	120/60	USA, Canada	C211-17	
Ricoh VT2100 (B4)	110/60	Taiwan	C211-19	
Ges 5320 (B4)	220, 240/50	Asia	C211-22	
Rex 1242 (B4)	220, 240/50	Asia	C211-24	
NSA CP310 (A4)	220, 240/50	Europe	C211-25	
Ricoh VT2150 (A4)	220, 240/60	Europe	C211-27	
Ricoh VT2100 (B4)	220, 240/60	Asia	C211-29	
Ges 5310 (A4)	220, 240/60	Europe	C211-62	

Model	VT2100/2130/2150, Ges5310/5315/5320, Rex1240/1241/1242 NSA CP310/315	Volt/Hz	Date of Modification	Serial Number
Modified Article	AC Drive Board			
Reason for Modification	Vender change			

Due to a vender change, the subcomponents of the AC drive board have been changed.

Old P/N	New P/N	Description	Q'ty Used	Inter- change- ability	Parts Catalog	
					Index No.	Page
16001138	16001639	Resistor - 1 Ω 5T \pm 10%	1 \rightarrow 1	O/O	119	78
16001139	16001640	Resistor - 6.8 Ω 5T \pm 10%	1 \rightarrow 1	O/O	120	78
16041196	16042528	Capacitor - 100 μ F 50V	1 \rightarrow 1	O/O	122	78

S. Hamano, Assistant General Manager
Technical Support Department

MODEL NAME	V/Hz	DESTINATION	CODE	SERIAL NUMBER
Ges 5315 (LG)	120/60	USA, Canada	C211-12	
Ges 5320 (B4)	110/60	Taiwan	C211-13	
Rex 1242 (B4)	110/60	Taiwan	C211-14	
Rex 1241 (LG)	120/60	USA, Canada	C211-15	
NSA CP315 (LG)	120/60	USA, Canada	C211-16	
Ricoh VT2130 (LG)	120/60	USA, Canada	C211-17	
Ricoh VT2100 (B4)	110/60	Taiwan	C211-19	
Ges 5320 (B4)	220, 240/50	Asia	C211-22	
Rex 1242 (B4)	220, 240/50	Asia	C211-24	
NSA CP310 (A4)	220, 240/50	Europe	C211-25	
Ricoh VT2150 (A4)	220, 240/60	Europe	C211-27	
Ricoh VT2100 (B4)	220, 240/60	Asia	C211-29	
Ges 5310 (A4)	220, 240/60	Europe	C211-62	
Rex 1240 (A4)	220, 240/60	Europe	C211-64	

Model	VT2100/2130/2150, Ges5310/5315/5320, Rex1240/1241/1242, NSA CP310/CP315	Volt/Hz	Date of Modification	Serial Number
Modified Article	Circuit Breaker			
Reason for Modification	Vender change			

Due to a vender change, the following parts have been changed.

Old P/N	New P/N	Description	Q'ty Used	Inter-change-ability	Parts Catalog	
					Index No.	Page
C2032059	C2162059	Circuit Breaker Bracket	1 → 1	X/X	40	63
11070134	11070782	Circuit Breaker - 5A (220/240V)	1 → 1	X/X	121	63
11070154	11070783	Circuit Breaker - 7A (110/120V)	1 → 1	X/X	121	63

O/O as a set

S. Hamano, Assistant General Manager
 Technical Support Department

MODEL NAME	V/Hz	DESTINATION	CODE	SERIAL NUMBER
Ges 5315 (LG)	120/60	USA, Canada	C211-12	From March '94 Production
Ges 5320 (B4)	110/60	Taiwan	C211-13	From March '94 Production
Rex 1242 (B4)	110/60	Taiwan	C211-14	From March '94 Production
Rex 1241 (LG)	120/60	USA, Canada	C211-15	From March '94 Production
NSA CP315 (LG)	120/60	USA, Canada	C211-16	From March '94 Production
Ricoh VT2130 (LG)	120/60	USA, Canada	C211-17	From March '94 Production
Ricoh VT2100 (B4)	110/60	Taiwan	C211-19	From March '94 Production
Ges 5320 (B4)	220, 240/50	Asia	C211-22	From March '94 Production
Rex 1242 (B4)	220, 240/50	Asia	C211-24	From March '94 Production
NSA CP310 (A4)	220, 240/50	Europe	C211-25	From March '94 Production
Ricoh VT2150 (A4)	220, 240/60	Europe	C211-27	From March '94 Production
Ricoh VT2100 (B4)	220, 240/60	Asia	C211-29	From March '94 Production
Ges 5310 (A4)	220, 240/60	Europe	C211-62	From March '94 Production
Rex 1240 (A4)	220, 240/60	Europe	C211-64	From March '94 Production

Model	VT2100/2130/2150, Ges5310/5315/5320, Rex1240/1241/1242	Volt/Hz	Date of Modification	Serial Number
Modified Article	AC Drive Board			
Reason for Modification	To improve reliability			

Old P/N	New P/N	Description	Q'ty Used	Inter-change-ability	Parts Catalog	
					Index No.	Page
12081245		Relay - DC24V	4 → 2		109	75
	12081042	Power Relay - DC24V	0 → 2	X/O	* 129	75

* New Index

To improve reliability, the relays (RA303 and RA304) for the driving paper table drive motor have been changed.

S. Hamano, Assistant General Manager
 Technical Support Department

MODEL NAME	V/Hz	DESTINATION	CODE	SERIAL NUMBER
Ges 5315 (LG)	120/60	USA, Canada	C211-12	From August '93 Production
Ges 5320 (B4)	110/60	Taiwan	C211-13	From August '93 Production
Rex 1242 (B4)	110/60	Taiwan	C211-14	From August '93 Production
Rex 1241 (LG)	120/60	USA, Canada	C211-15	From August '93 Production
NSA CP315 (LG)	120/60	USA, Canada	C211-16	From August '93 Production
Ricoh VT2130 (LG)	120/60	USA, Canada	C211-17	From August '93 Production
Ricoh VT2100 (B4)	110/60	Taiwan	C211-19	C2803070001
Ges 5320 (B4)	220, 240/50	Asia	C211-22	From August '93 Production
Rex 1242 (B4)	220, 240/50	Asia	C211-24	From August '93 Production
NSA CP310 (A4)	220, 240/50	Europe	C211-25	From August '93 Production
Ricoh VT2150 (A4)	220, 240/60	Europe	C211-27	From August '93 Production
Ricoh VT2100 (B4)	220, 240/60	Asia	C211-29	From August '93 Production
Ges 5310 (A4)	220, 240/60	Europe	C211-62	From August '93 Production
Rex 1240 (A4)	220, 240/60	Europe	C211-64	From August '93 Production

Model	VT2100/2130/2150, Ges5310/5315/5320, Rex1240/1241/1242, NSA CP310/315	Volt/Hz	Date of Modification	Serial Number
Modified Article	Transformer			
Reason for Modification	To meet new safety standard			

Old P/N	New P/N	Description	Q'ty Used	Inter-change-ability	Parts Catalog	
					Index No.	Page
C2018155	C2168155	Transformer - 235V/105V	1 → 1	X/X	41	63
C2032018	C2162018	Transformer Bracket	1 → 1	X/X	42	63

X/O as a set

To meet new safety standard, the transformer for the 220/240V machines has been changed. Due to this modification, the transformer bracket has also been changed.

S. Hamano, Assistant General Manager
 Technical Support Department

MODEL NAME	V/Hz	DESTINATION	CODE	SERIAL NUMBER
Ges 5315 (LG)	120/60	USA, Canada	C211-12	From September '93 Production
Ges 5320 (B4)	110/60	Taiwan	C211-13	From September '93 Production
Rex 1242 (B4)	110/60	Taiwan	C211-14	From September '93 Production
Rex 1241 (LG)	120/60	USA, Canada	C211-15	From September '93 Production
NSA CP315 (LG)	120/60	USA, Canada	C211-16	From September '93 Production
Ricoh VT2130 (LG)	120/60	USA, Canada	C211-17	From September '93 Production
Ricoh VT2100 (B4)	110/60	Taiwan	C211-19	C2803070001
Ges 5320 (B4)	220, 240/50	Asia	C211-22	From September '93 Production
Rex 1242 (B4)	220, 240/50	Asia	C211-24	From September '93 Production
NSA CP310 (A4)	220, 240/50	Europe	C211-25	From September '93 Production
Ricoh VT2150 (A4)	220, 240/60	Europe	C211-27	C2803080001
Ricoh VT2100 (B4)	220, 240/60	Asia	C211-29	From September '93 Production
Ges 5310 (A4)	220, 240/60	Europe	C211-62	From September '93 Production
Rex 1240 (A4)	220, 240/60	Europe	C211-64	From September '93 Production

Model	VT2100/2130/2150, Ges 5310/5315/5320, Rex1240/1241/1242, NSA CP310/315	Volt/Hz	Date of Modification	Serial Number
Modified Article	Eject Rollers, etc.			
Reason for Modification	To ensure the master eject process (For the A4 / 8 1/2" x 14" version machines only)			

Draw No.	Old Parts No.	New Parts No.	Description	Rank	Q'ty Used Old→New	Inter-changeability	Parts needed for replacement by new part		Parts Catalog		
							Part No.	Description	No.	Page	
	C2013530	C2113531	Upper Pulley Shaft		1 → 1	X/X	}			35	59
	C2003539	C2113549	1st Upper Eject Roller		1 → 1	X/X		X/O as a set	8	59	
	C2003542	C2113552	1st Lower Eject Roller		1 → 1	X/X			6	59	
	C2033527	C2113535	Bottom Plate - Master Eject		1 → 1	X/X			14	61	
	C2003708	C2113709	Pressure Plate		1 → 1	X/O			17	61	

Rank: A : Replace with new parts immediately. B : Replace with new parts at time of repair. C : Replace with new parts at time of overhaul.

Interchangeability:

(1) When old and new parts are not mutually interchangeable, use additional parts or an assembly part as indicated in "Parts needed for replacement by new part" to install the new part.

(2) The mark to the left of the slash indicates whether the old part can be used in the new machine, and the mark to the right indicates whether the new part can be used in the old machine. x = Not interchangeable o = Interchangeable

DETAILS OF MODIFICATION

There are 4 sets of master eject rollers and belts. In the A4 or 8 1/2" 14" size master version machines, both sides of the 4 sets do not catch the master edges sufficiently while transporting it. Even with this mechanism, used masters can usually be ejected properly. However, when a master eject jam occurs in this area, the jammed master tends to be creased among the rollers and belts. In the worst case, the master eject belt will slip off when the operator roughly removes the creased and jammed master.

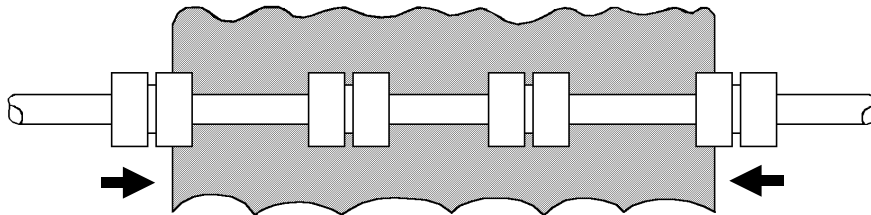
To prevent this, both sides of the 4 sets of the master eject rollers and belts have been moved more inward 20 mm so that they can catch the master more sufficiently (just like the B4 size master version machines). To do this, the following changes have been implemented.

- 1) To move the 2 outside second lower eject rollers inward, the bottom plate of the master eject unit (# C2033527) has been changed. (The guides for the 2 rollers, which are fixed to the bottom plate, have been moved.)
- 2) To move the 2 outside of the first upper and lower eject rollers to inward, the assembled first upper and lower eject rollers (# C2003539 and # C2003542) have been changed.
- 3) To move the 2 outside second upper eject rollers inward, the positions of the grooves for the E-rings that fix the rollers on the shaft (# C2013530) have been moved.

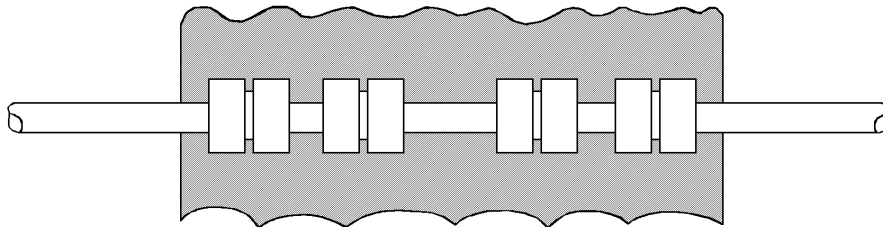
DETAILS OF MODIFICATION

- 4) There are 4 cutouts on the pressure plate (# C2003708) to prevent the pressure plate from touching the guides for the second lower eject rollers on the bottom plate. As the 2 outside guides have been moved (see #1), the 2 outside cutouts have been enlarged accordingly. The new pressure plate can also be used for the B4 version machines or old A4 / 8 1/2" x 14 version machines. (The other new parts can be used only as a set of all new parts.)

OLD



NEW



S. Hamano, Assistant General Manager
 Technical Support Department

MODEL NAME	V/Hz	DESTINATION	CODE	SERIAL NUMBER
Ges 5315 (LG)	120/60	USA, Canada	C211-12	From August '94 Production
Ges 5320 (B4)	110/60	Taiwan	C211-13	
Rex 1242 (B4)	110/60	Taiwan	C211-14	
Rex 1241 (LG)	120/60	USA, Canada	C211-15	From August '94 Production
NSA CP315 (LG)	120/60	USA, Canada	C211-16	From August '94 Production
Ricoh VT2130 (LG)	120/60	USA, Canada	C211-17	From August '94 Production
Ricoh VT2100 (B4)	110/60	Taiwan	C211-19	
Ges 5320 (B4)	220, 240/50	Asia	C211-22	
Rex 1242 (B4)	220, 240/50	Asia	C211-24	
NSA CP310 (A4)	220, 240/50	Europe	C211-25	From August '94 Production
Ricoh VT2150 (A4)	220, 240/60	Europe	C211-27	From August '94 Production
Ricoh VT2100 (B4)	220, 240/60	Asia	C211-29	
Ges 5310 (A4)	220, 240/60	Europe	C211-62	From August '94 Production
Rex 1240 (A4)	220, 240/60	Europe	C211-64	From August '94 Production

Model	VT2100 / 2130 / 2150, Ges 5310 / 5315 / 5320, Rex 1240 / 1241 / 1242, NSA CP310 / 315	Volt/Hz	Date of Modification	Serial Number
Modified Article	Parts Catalog			
Reason for Modification	Parts Catalog Correction			

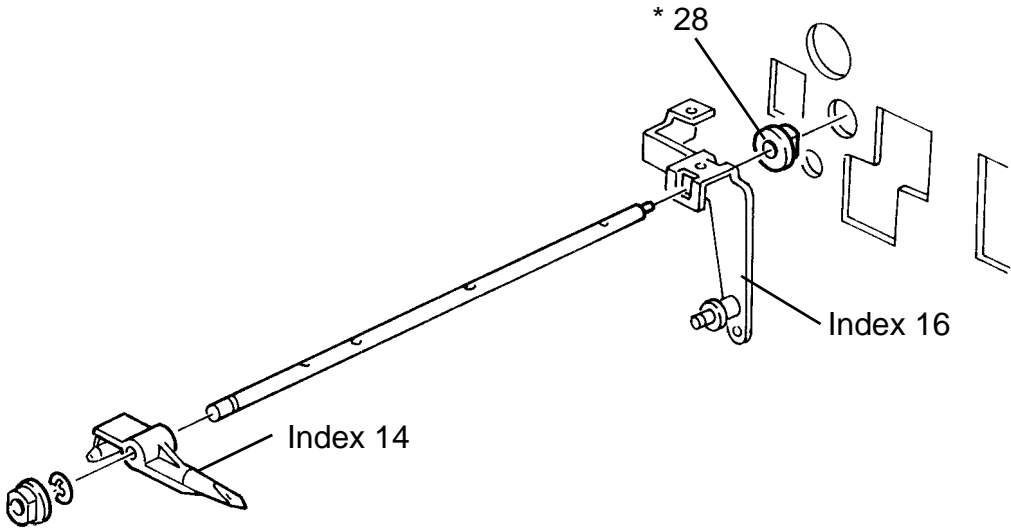
Correct your parts catalog as follows:

Page 31 PRESS ROLLER SECTION

All versions

Add the following part:

New Index	Part Number	Description	Q'ty
28	C2032083	Exit Pawl Bushing	1



Page 53 PLOTTER / MASTER FEED SECTION I

NRG version only

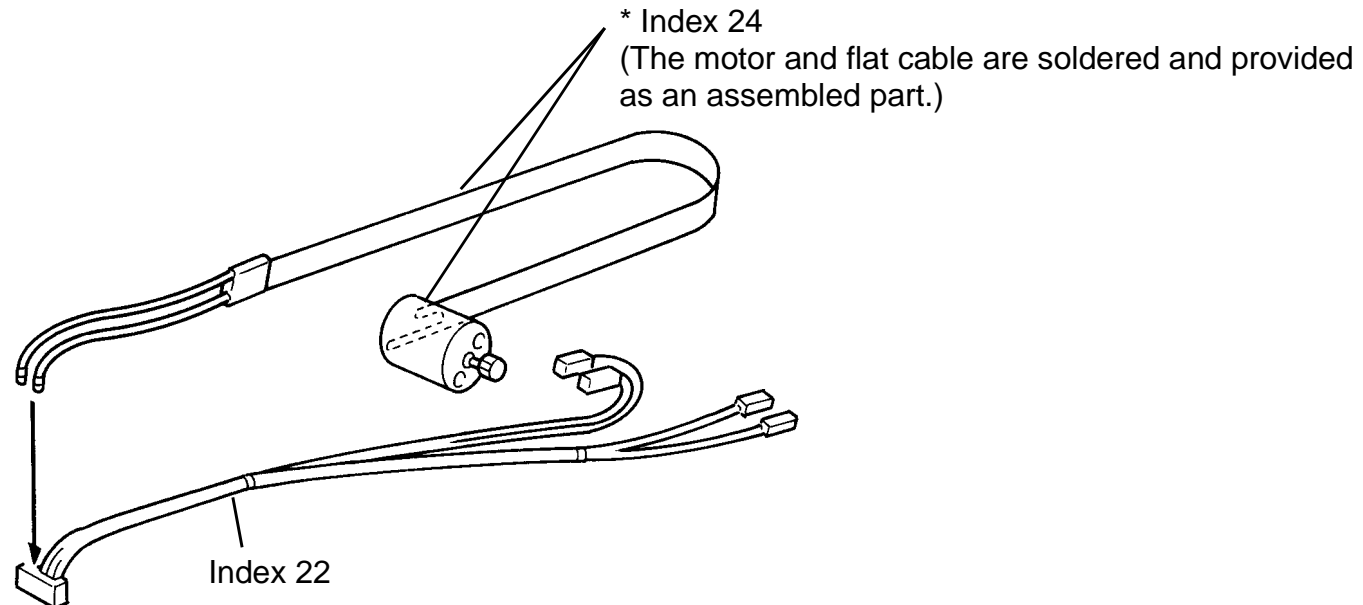
Correct the part number and description as follows:

Index No.	Incorrect P/N	Incorrect Description	Correct P/N	Correct Description
35	C2118130	Flat Cable - Thermal Head	C2078080	Flat Cable - Thermal Head - 110/120V
35			C2118080	Flat Cable - Thermal Head - 220/240V

Page 54 PLOTTER / MASTER FEED SECTION II

All versions

Correct the illustration for the cutter motor (C2008415) as follows:



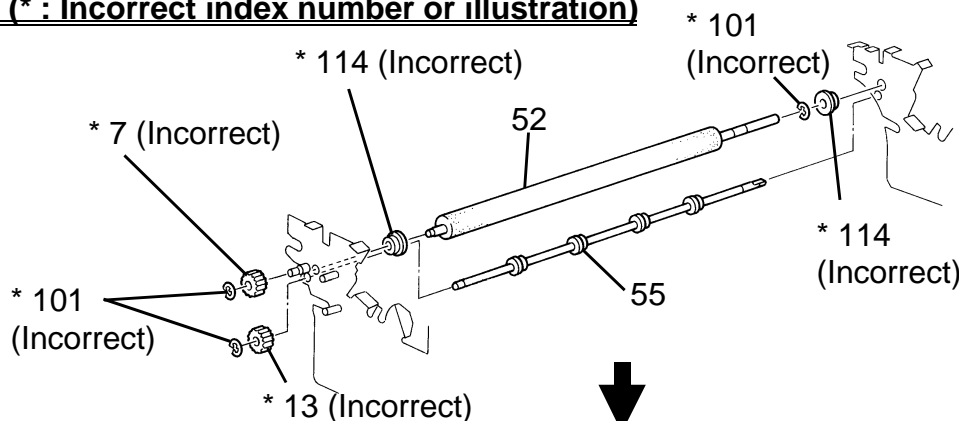
Page 57 PLOTTER / MASTER FEED SECTION III

All versions

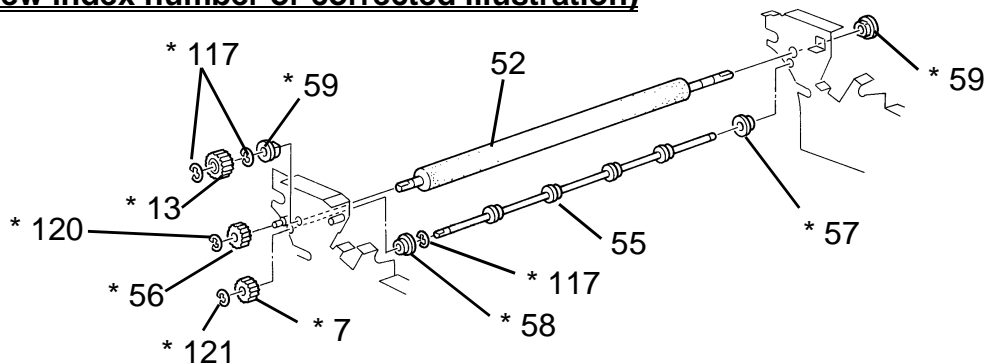
Add the following parts and correct the illustration as shown below:

New Index	P/N	Description	Q'ty
56	C2002338	Gear - 20T	1
57	53241658	Bushing - 4 x 8 x 4.5 mm	1
58	H0022226	Bushing - Head Roller	1
59	H0121181	Bushing - M6	2
120	07200020Z	Retaining Ring - M2	1
121	07200025Z	Retaining Ring - M2.5	1

Incorrect (* : Incorrect index number or illustration)



Correct (* : New index number or corrected illustration)



M. Iwasa, Manager
Technical Support Department

MODEL NAME	V/Hz	DESTINATION	CODE	SERIAL NUMBER
Ges 5315 (LG)	120/60	USA, Canada	C211-12	
Ges 5320 (B4)	110/60	Taiwan	C211-13	
Rex 1242 (B4)	110/60	Taiwan	C211-14	
Rex 1241 (LG)	120/60	USA, Canada	C211-15	
NSA CP315 (LG)	120/60	USA, Canada	C211-16	
Ricoh VT2130 (LG)	120/60	USA, Canada	C211-17	
Ricoh VT2100 (B4)	110/60	Taiwan	C211-19	
Ges 5320 (B4)	220, 240/50	Asia	C211-22	
Rex 1242 (B4)	220, 240/50	Asia	C211-24	
NSA CP310 (A4)	220, 240/50	Europe	C211-25	
Ricoh VT2150 (A4)	220, 240/60	Europe	C211-27	
Ricoh VT2100 (B4)	220, 240/60	Asia	C211-29	
Ges 5310 (A4)	220, 240/60	Europe	C211-62	
Rex 1240 (A4)	220, 240/60	Europe	C211-64	

Model		VT2100 / 2130 / 2150, Ges 5310 / 5315 / 5320, Rex 1240 / 1241 / 1242, NSA CP310 / 315					Volt/Hz	Date of Modification	Serial Number	
Modified Article										
Reason for Modification		Due to parts standardization with other models								
Draw No.	Old Parts No.	New Parts No.	Description	Rank	Q'ty Used Old→New	Inter-changeability	Parts needed for replacement by new part		Parts Catalog	
							Part No.	Description	No.	Page
	C2002005	C2222072	Bottom Stay		2 → 2	O/O			11	11
	C2032015		Bracket		1 → 0					
		C2242015	Image Processing Board Bracket		0 → 1	O/O			13	11
	C2002340		Washer		1 → 0					
		07010030Z	Flat Washer - M3		0 → 1	O/O			24	13
	C2012226	C2192226	Gear - 22T		1 → 1	O/O			33	13

Rank: A : Replace with new parts immediately. B : Replace with new parts at time of repair. C : Replace with new parts at time of overhaul.

Interchangeability:

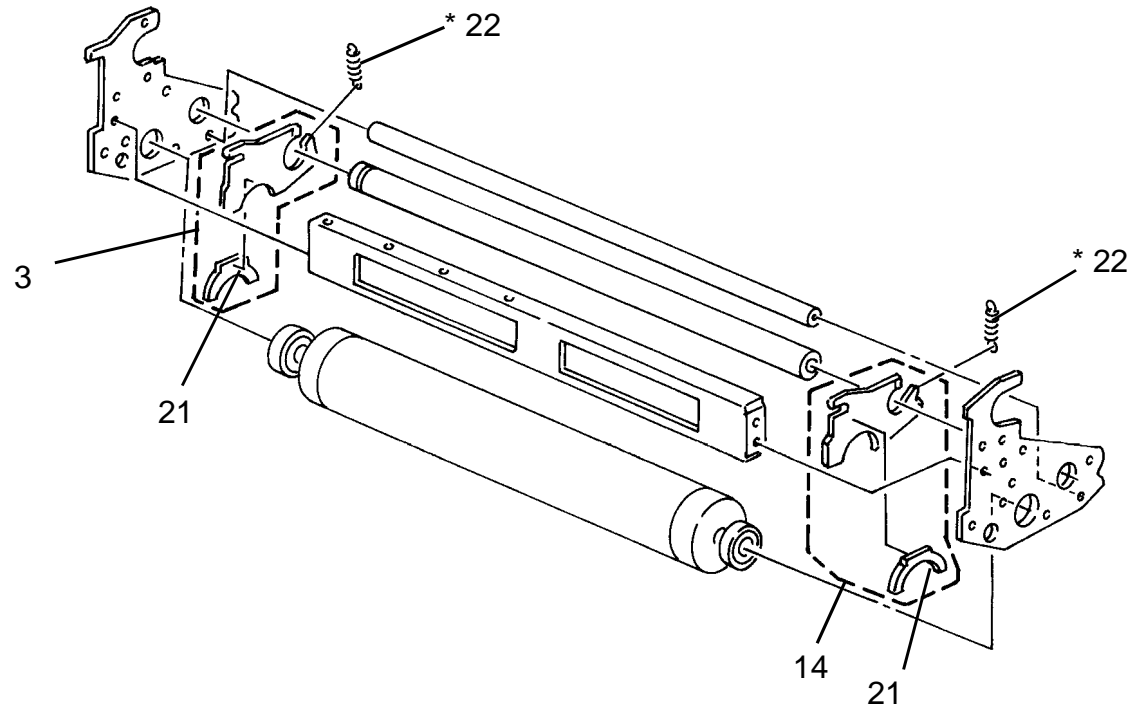
(1) When old and new parts are not mutually interchangeable, use additional parts or an assembly part as indicated in "Parts needed for replacement by new part" to install the new part.

(2) The mark to the left of the slash indicates whether the old part can be used in the new machine, and the mark to the right indicates whether the new part can be used in the old machine. x = Not interchangeable o = Interchangeable

Draw No.	Old Parts No.	New Parts No.	Description	Rank	Q'ty Used Old → New	Inter-changeability	Part needed for replacement by new part		Parts Catalog	
							Part No.	Description	No.	Page
	C2005207	C2195127	Sector gear Stud		1 → 1	X/X		O/O as a set	3	25
	C2035175	C2245101	Sector Gear		1 → 1	X/X			5	25
	55015929		Spacer - 5.2 mm x 16 mm x 1		1 → 0				1	25
	56001086		Spacer - 10.2 x 20		1 → 0				6	25
	08077018		Washer - M10		3 → 0				104	25
	07200080Z		Retaining Ring - M8		n → n-1				106	25
	55054189	C2156110	Felt - Side Plate		1 → 1	O/O		24	37	
	C2074948	C2194948	Drum Clamper Ass'y		1 → 1	O/O		12	41	
	C2004941	C2194941	Clamper Shaft		1 → 1	O/O		30	41	
	C2004947	C2224947	Clamper Rubber		2 → 2	O/O		31	41	
	C2074950	C2154950	Drum Clamper Base Ass'y		1 → 1	O/O		32	41	
	C2134583		Stainless Screen - B4		1 → 0					
		C2194583	Tetron Screen - B4		0 → 1	O/O		36	41	


Drawing No. 1

* : New Index



M. Iwasa, Manager
Technical Support Department

MODEL NAME	V/Hz	DESTINATION	CODE	SERIAL NUMBER
Ges 5315 (LG)	120/60	USA, Canada	C211-12	
Ges 5320 (B4)	110/60	Taiwan	C211-13	
Rex 1242 (B4)	110/60	Taiwan	C211-14	
Rex 1241 (LG)	120/60	USA, Canada	C211-15	
NSA CP315 (LG)	120/60	USA, Canada	C211-16	
Ricoh VT2130 (LG)	120/60	USA, Canada	C211-17	
Ricoh VT2100 (B4)	110/60	Taiwan	C211-19	
Ges 5320 (B4)	220, 240/50	Asia	C211-22	
Rex 1242 (B4)	220, 240/50	Asia	C211-24	
NSA CP310 (A4)	220, 240/50	Europe	C211-25	
Ricoh VT2150 (A4)	220, 240/60	Europe	C211-27	
Ricoh VT2100 (B4)	220, 240/60	Asia	C211-29	
Ges 5310 (A4)	220, 240/60	Europe	C211-62	
Rex 1240 (A4)	220, 240/60	Europe	C211-64	

Model: PRIPORT N915		Date: 15-Jun-99	No: MC211031
Modified Article: Upper and Lower Master Eject Belts		Prepared by: 	
From: Priport Service Planning Section		H. Kokubo	
Classification: <input type="checkbox"/> Parts catalog correction <input type="checkbox"/> Vendor change <input type="checkbox"/> To meet standards <input type="checkbox"/> To facilitate assembly <input checked="" type="checkbox"/> To improve reliability () <input type="checkbox"/> Part standardization <input type="checkbox"/> Other ()			
Model Name: Ricoh VT2100/VT2130/VT2150, Gestetner 5310/5315/5320, RexRotary 1240/1241/1242, nashuatec CP310/CP315			

The upper and lower master eject belts have been changed as follows. The new parts have more tolerance against stretching when used over a long period of time.

Old #	New #	Description	Qty	Int	Page	Index
C219 3605	C219 3611	Upper Belt	4 → 4	X/O	59	9
C219 3606	C219 3612	Lower Belt	4 → 4	X/O	59	7



Model: PRIPORT N915**Date:** 15-Jun-99**No:** MC211031**CUT IN SERIAL NUMBERS**

Model Name	V/Hz	Destination	Code	Serial Number
Ges 5315 (LG)	120/60	USA, Canada	C211-12	Service Parts Only
Ges 5320 (B4)	110/60	Taiwan	C211-13	Service Parts Only
Rex 1242 (B4)	110/60	Taiwan	C211-14	Service Parts Only
Rex 1241 (LG)	120/60	USA, Canada	C211-15	Service Parts Only
Nsa CP315 (LG)	120/60	USA, Canada	C211-16	Service Parts Only
Ricoh VT2130 (LG)	120/60	USA, Canada	C211-17	Service Parts Only
Ricoh VT2100 (B4)	110/60	Taiwan	C211-19	Service Parts Only
Ges 5320 (B4)	220, 240/50	Asia	C211-22	Service Parts Only
Rex1242 (B4)	220, 240/50	Asia	C211-24	Service Parts Only
Nsa CP310 (A4)	220, 240/50	Europe	C211-25	Service Parts Only
Ricoh VT2150 (A4)	220, 240/50	Europe	C211-27	Service Parts Only
Ricoh VT2100 (B4)	220, 240/60	Asia	C211-29	Service Parts Only
Ges 5310 (A4)	220, 240/60	Europe	C211-62	Service Parts Only
Rex 1240 (A4)	220, 240/60	Europe	C211-64	Service Parts Only